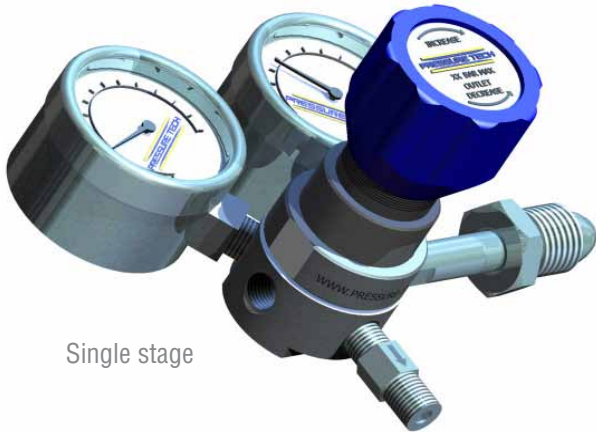


# CYL-300 Series

## Cylinder regulator assemblies



Single stage



Two stage

or quality gas cylinder regulators made to last, Pressure Tech have created a flexible approach to individual regulator requirements. 'Mix and match' your needs against our ordering system. Please refer to our ACS-300 data sheet for auto-changeover regulators.

### APPLICATIONS:

- Laboratories
- Analyser systems
- Purge systems
- Speciality and inert gases

### FEATURES:

300 bar inlet pressure for high pressure cylinders  
 Convoluted Inconel diaphragm to provide strength and flexibility  
 True metal to metal seal  
 Stainless steel bonnet as standard  
 20micron inlet filter  
 Smooth ergonomic hand wheel  
 Full safety pattern gauges

### STANDARD MATERIALS OF CONSTRUCTION

Regulator part	Material
Body and Bonnet	316SS
Main valve pin	316SS
Soft seat cone	PEEK or PCTFE
Valve spring	Inconel X750
Diaphragm	Inconel X750
Handwheel	Nylon
Diaphragm washer	Brass
Spring rests	316SS
'O' ring seals	Viton
Adjusting screw	Alu Bronze
Loading Spring	302SS

NOTE: Product availability and specifications contained herein are subject to change without notice. Consult local distributor or factory for potential revisions and/or service related issues. // pg 1 of 3

PRESSURE TECH LTD, Unit 6, Graphite Way, Hadfield, Glossop, Derbyshire SK13 1QG  
 Tel: +44 (0)1457 899307 Fax: +44 (0)1457 899308  
 e-mail: info@pressure-tech.com



## Haldatec

Phone: +61-3-9872-5822 Fax: +61-3-9872-5129  
 E-mail: sales@haldatec.com.au Web Site: www.haldatec.com.au

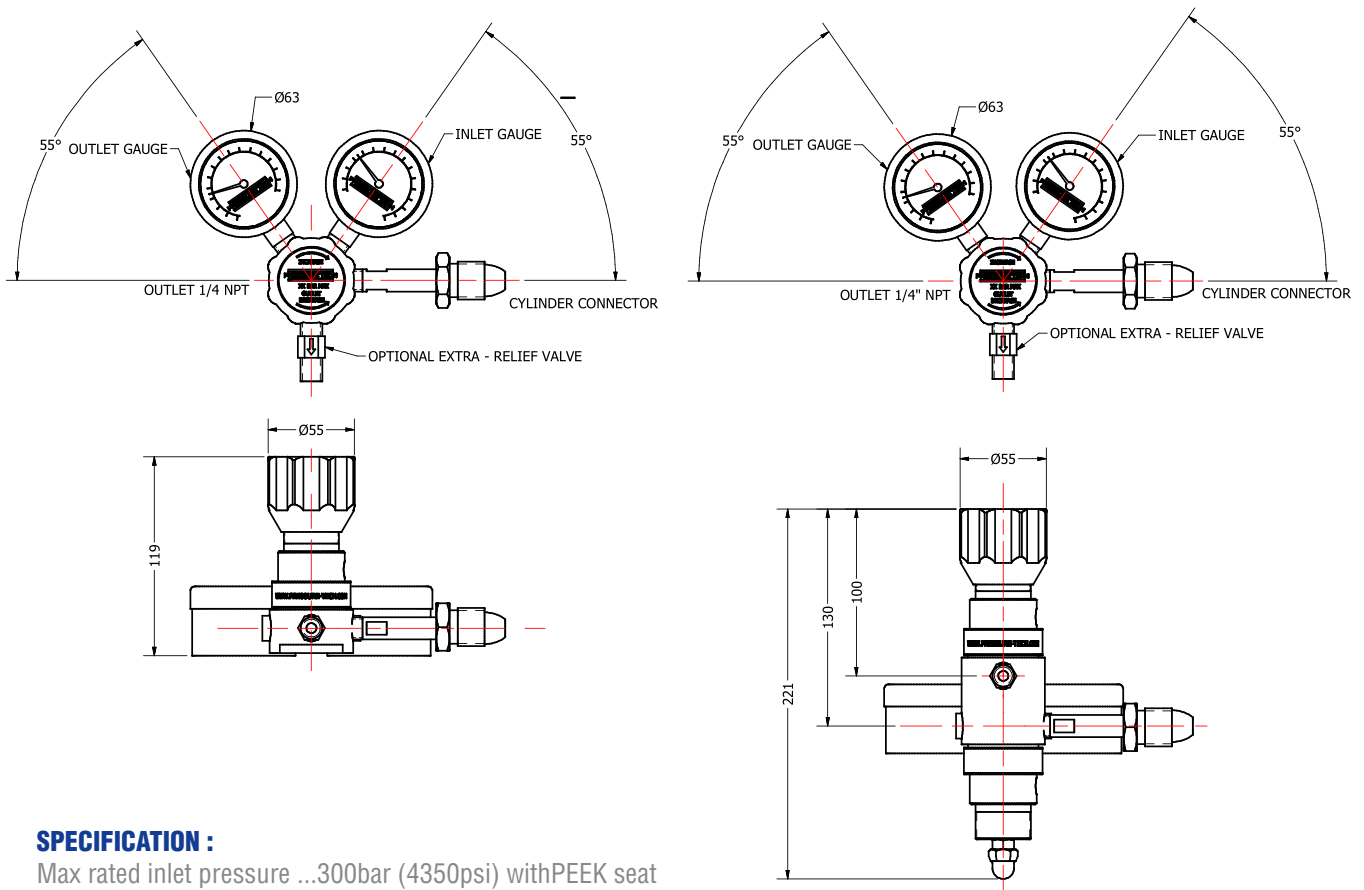
[www.pressure-tech.com](http://www.pressure-tech.com)

Designed and built in the UK



# CYL-300 Series

## Cylinder regulator assemblies



### SPECIFICATION :

Max rated inlet pressure ...300bar (4350psi) with PEEK seat  
 Outlet ranges ..... up to 35bar (500psi)  
 Design Proof pressure ..... 150% max WP  
 Leakage ..... Bubble tight at max WP (tested on Nitrogen)  
 Weight ..... 1.5 - 2kg  
 Temperature range ..... -48 to +300deg C  
 (materials vary - contact office for details)

NOTE: Product availability and specifications contained herein are subject to change without notice. Consult local distributor or factory for potential revisions and/or service related issues. // pg 2 of 3

PRESSURE TECH LTD, Unit 6, Graphite Way, Hadfield, Glossop, Derbyshire SK13 1QG  
 Tel: +44 (0)1457 899307 Fax: +44 (0)1457 899308  
 e-mail: info@pressure-tech.com

[www.pressure-tech.com](http://www.pressure-tech.com)

**Haldatec**

Phone: +61-3-9872-5822 Fax: +61-3-9872-5129  
 E-mail: sales@haldatec.com.au Web Site: www.haldatec.com.au



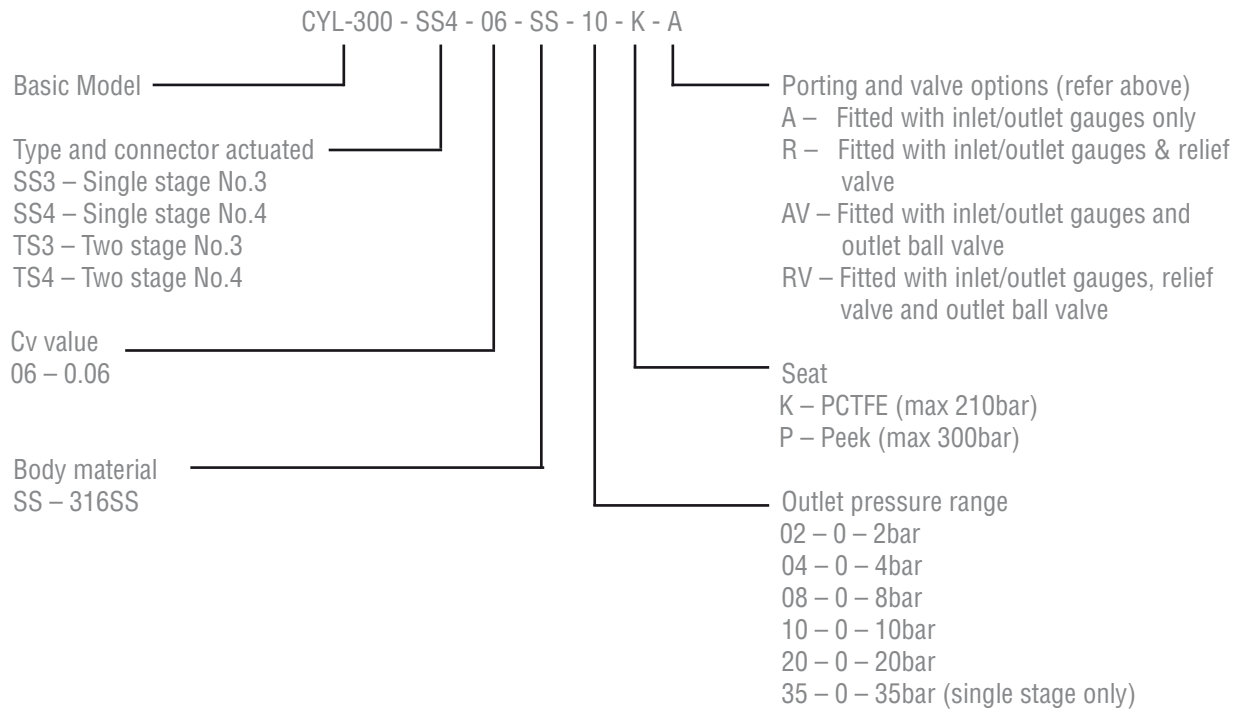
Designed and built in the UK



# CYL-300 Series

Cylinder regulator assemblies

## ORDERING INFORMATION:



NOTE: Product availability and specifications contained herein are subject to change without notice. Consult local distributor or factory for potential revisions and/or service related issues. // pg 3 of 3

PRESSURE TECH LTD, Unit 6, Graphite Way, Hadfield, Glossop, Derbyshire SK13 1QG  
 Tel: +44 (0)1457 899307 Fax: +44 (0)1457 899308  
 e-mail: info@pressure-tech.com

[www.pressure-tech.com](http://www.pressure-tech.com)

**Haldatec**

Phone: +61-3-9872-5822 Fax: +61-3-9872-5129  
 E-mail: sales@haldatec.com.au Web Site: www.haldatec.com.au



Designed and built in the UK

