

SCA & SCB ALLOY SAMPLE CYLINDERS

The SCA and SCB series sample cylinders provide a range of small cylinders with a choice of materials, configurations and sizes.

Intended for use with aggressive products such as Hydrogen Fluoride. The options offered by this unique design have previously not been available in alloy metals.

Model SCA

The SCA series were developed to provide a sample cylinder with only base metal exposed to the product. There are no welds.

The purpose-designed sealing surface with a TFE back-up on the joint provides a metal-to-metal seal with an elastometric back-up seal. The outer joint ring is made of the same material as the cylinder to provide seal integrity thus eliminating the effects of thermal expansion and contraction.

With the SCA, the two piece construction allows the inside surfaces to be smooth machined, thereby flush cleaning is aided and residual samples will not be trapped in crevices or rough machined surfaces.

Model SCB

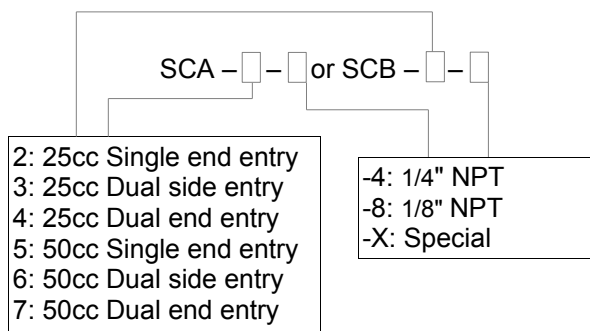
For situations where a one piece cylinder is required the SCB is available in welded construction. This also offers a smooth inside surface which is maintained after welding.

Construction materials have been carefully chosen to provide the optimum desirable characteristics of corrosion resistance, strength and machineability.

The cylinders are available in a variety of metal alloys and in standard sizes of 25 cc and 50 cc. Other sizes are available on request.

Single and double entry at the ends and sides are other available options.

For Ordering:



SCA-3 & SCA-4

Specifications:

Pressure Rating: Up to 10 MPa depending on materials of construction and accessory rating

Test Pressure: 15 MPa

Material of Construction: Nickel-Copper Alloy, Std. (ISO NiCu30/ASTM B164). Other materials available

Entry Connection: 1/4" NPT Std. 1/8" NPT available.

Connection Orientation: Single or double, end or side.

Seal: Metal-to-metal with TFE pressure ring seal back-up - SCA only.

Capacity: 25 cc and 50 cc standard. Other sizes available on request.



Haldatec

Phone: +61-3-9872-5822 Fax: +61-3-9872-5129
E-mail: sales@haldatec.com.au Web Site: www.haldatec.com.au

