

ZT-100 F-Series Water-Cut Meters

- Full Bore
- Isokinetic
- 4-32 inch
- Safe Anti-Blowout design





ZT-100 F-Series Water-Cut Meters

The iso-kinetic ZelenTech F-Series is designed to enable usage of spool sections 100% compatible with main lines while the flanged probe (316L or other austenitic steels) will provide an isokinetic measurement (i.e. it does not create flow distortions leading to measurement errors).

The ZelenTech ZT-100 Watercut Monitor determines the percent watercut in an oil emulsion without requiring the physical separation of the fluids. The emulsion stream is continuously monitored for capacitance and converted into percentage of water by the Watercut Monitor logic.

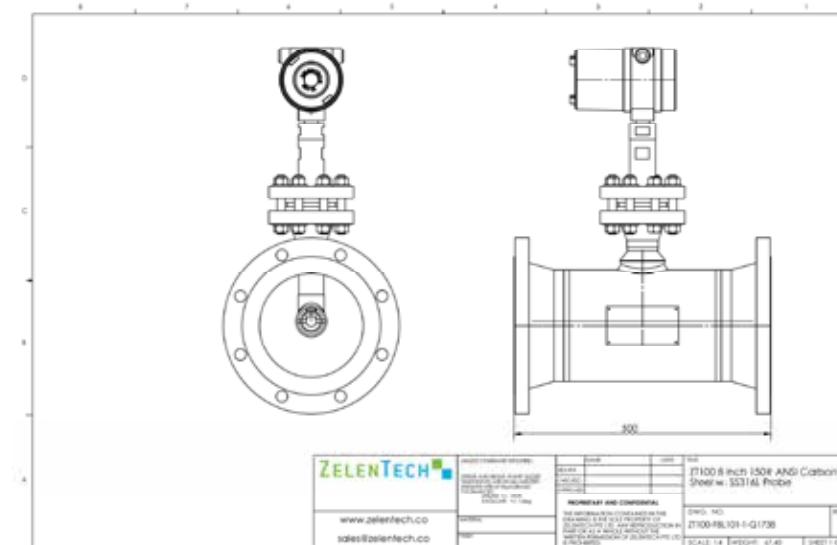
ZelenTech ZT-100 Watercut Monitors (also known as BS&W, OWD, WFM or Water in Oil Analyzers) offers you unmatched flexibility as we offer virtually unlimited number of configurations.

The ZelenTech ZT-100 F-Series can optionally be fitted with an integrated Static Mixer (FM-Series). The mixer will ensure that a well mixed and homogenized stream will reach the sensor. We configure mixer elements and spacing in accordance with standards such as ISO 3171 and API MPMS8.2 to ensure that the sensor will see a truly representative view of what is going on in your pipes.

SPECIFICATION

Power	24VDC (Loop Powered)
Power Consumption	Max 0.66W
Output	4-20mA
Digital Interface	HART
Operating Temp	Process Fluid: Standard version 0-120 deg C. High Temp version 0-240 deg C Ambient: -40 to 65 deg C
Display	Blind. Local display available as separate item.
Accuracy	+/- 0.01% up to 1% water cut +/- 0.05% up to 5% water cut +/- 0.1% from 5% to 10% water cut +/- 0.2% from 10% to 25% water cut
Resolution	0.003%
Certification	FM, ATEX, GOST-R, CSA (Pending)
Wetted Parts	SS316L, Duplex, Super Duplex, Hastelloy
Enclosure	IP66/67 Nema 4X&7, Aluminum or SS316L
Sour Sevice	NACE MR0175 / ISO15156
Operating Pressure	Flanged models: Flange Rating
Process Connections	ANSI Flanged: 150#, 300#, 600#, 900#, 1500# (Select models) DN and JIS flanges, 10, 16, 40, 65, 100 bar
Length	From 430mm or 17 inch
Length with Mixer	Application dependent
Main Spool	Follows any piping specification Weld Neck main flanges and side port Optional sampling port Optional built in static mixer
Pressure Certifications	PED (EU Zone) available for select models CRN (Canadian registration) available for select models

TYPICAL MODEL



DESIGN AND INTEGRITY

The ZelenTech ZT-100 Watercut Meters are built to strict standards. Ability to accommodate a vast variety of Piping Specifications ensures that the meter becomes an integral part of the piping system and not a weak link.

ZelenTech's ISO9001 quality system is able to accommodate any customer requirements for documentation, material traceability and quality assurance.

FLOW CONDITIONING

The ZT-100 Watercut Meter can be supplied with built in Static Mixer providing a well conditioned stream both for inline measurement and sampling.

Designed in accordance with standards such as API 8.2 and ISO 3171.



*ZT100 F-Series
ATEX-version
Complete with Mixer*



*ZT-100 F-Series
FM Certified*

Why ZelenTech?

The ZelenTech ZT100 Watercut Monitor is designed to provide reliable results in environments from the North Sea to Sahara. Offering unmatched flexibility for material, size, features and configurations the ZT100 can be integrated into almost every oil carrying system.

20150123



Haldatec Pty Ltd
11/27-33 Thornton Cres
Mitcham VIC 3132
Australia

sales@haldatec.com.au

www.haldatec.com.au