

BP-LF540 Datasheet

LOW-FLOW BACK PRESSURE REGULATOR



Gas
 Liquid
 |
 Diaphragm
 Piston
 |
 Max Rating: 550 bar (7,795 psi)
 |
 Max Inlet Control: 414 bar (6,000 psi)
 |
 Cv 0.1



INTRODUCING THE BP-LF540...

The BP-LF540 is a compact piston-sensed low-flow back pressure regulator for gas or liquid applications, making it a versatile regulator across a range of medias. With a low flow coefficient of 0.1, it offers highly accurate back pressure control.

The BP-LF540 is available in an air-actuated design, making it perfect for semi or fully automated systems.

SPECIFICATION

Max. Rating	550 bar (7,795 psi)
Max. Inlet Control	Up to 414 bar (6,000 psi)
Design Proof Pressure	150% max. working pressure
Seat Leakage	In accordance with ANSI/FCI 70-3
Weight	2.1kg (4.6lbs)

* Pressure regulator rating may be limited by connection type, Cv and/or seat material

STANDARD MATERIALS OF CONSTRUCTION

PART	MATERIALS
Body and Bonnet	AISI 316/316L Stainless Steel (UNS S31600/S31603)
Main Valve Pin	AISI 316/316L Stainless Steel (UNS S31600/S31603)
Soft Seat	PEEK™
Valve Spring	Elgiloy® (UNS R30003)
Handwheel	Nylon
Piston	AISI 316/316L Stainless Steel (UNS S31600/S31603)
O-Rings	NBR or FKM/FPM
Loading Spring	Silicon Chrome Wire

FEATURES AND BENEFITS

1 PISTON SENSING ELEMENT

Perfect for use in challenging conditions.

2 SUITABLE FOR GAS OR LIQUID APPLICATIONS

Versatile use across a range of media types.

3 LOW FLOW COEFFICIENT

Cv 0.1 for accurate control of process media.

4 OPTIONAL AIR-ACTUATED DESIGN

For fine remote adjustment.

Product availability and specifications contained herein are subject to change without notice. Consult local distributor or factory for potential revisions and/or service related issues. Pressure Tech Ltd support with product selection recommendations only - it is the users responsibility to ensure the product is suitable for their specific application requirements.



DESIGNED AND BUILT IN THE UK

PRESSURE TECH LTD

Unit 24, Graphite Way, Hadfield, Glossop, Derbyshire, UK, SK13 1QH
 T +44 (0)1457 899 307
 E sales@pressure-tech.com
 W www.pressure-tech.com

200819

PAGE:
1 OF 4

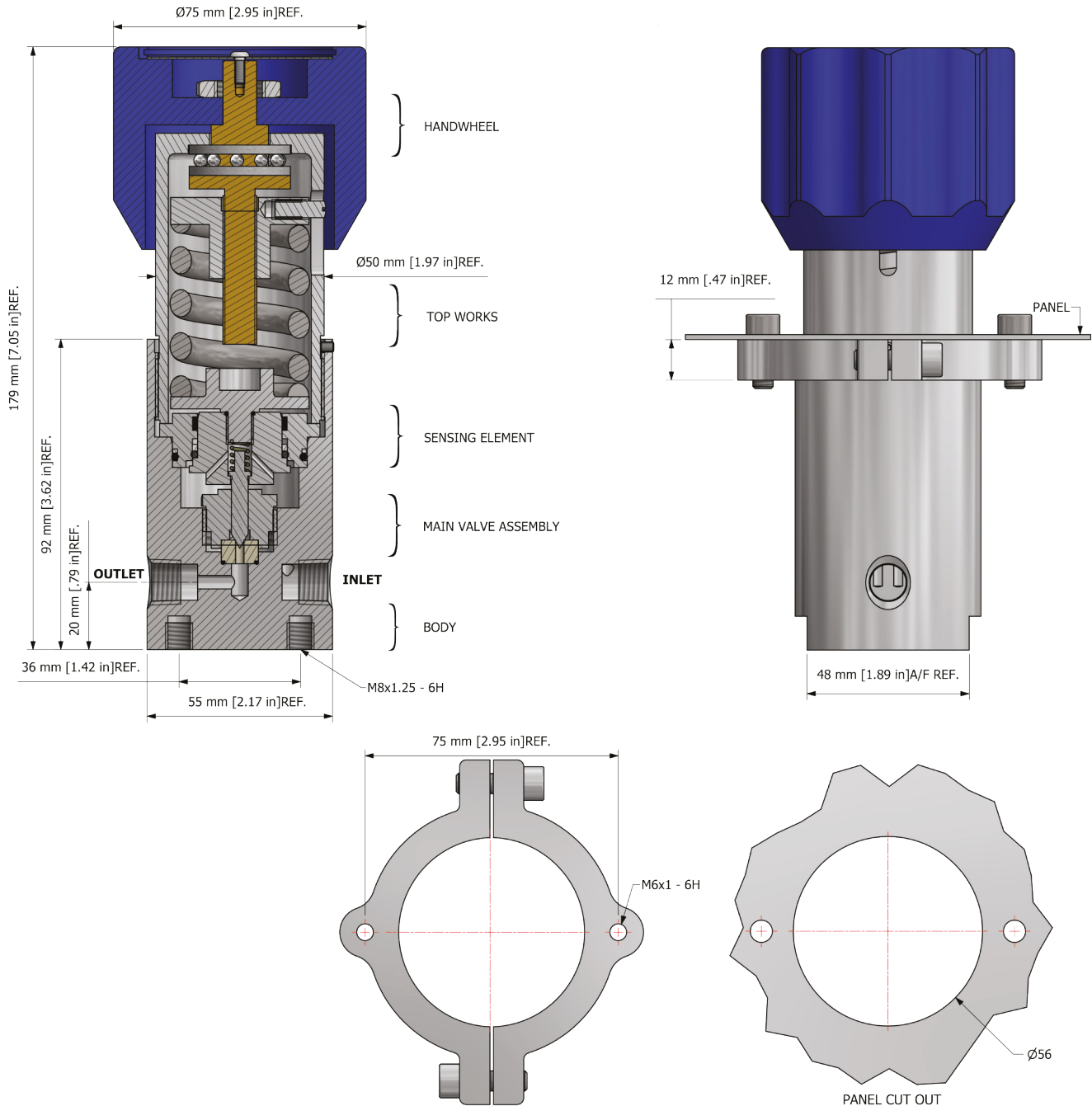
BP-LF540 Datasheet

LOW-FLOW BACK PRESSURE REGULATOR



● Gas ● Liquid |
 ● Diaphragm ● Piston |
 Max Rating: 550 bar (7,975 psi) |
 Max Inlet Control: 414 bar (6,000 psi) |
 Cv 0.1

DRAWINGS AND INSTALLATION DIMENSIONS



PT-C-061-005-RING (STAINLESS STEEL)
 PT-C-061-005-001-RING (ALUMINIUM)
 PANEL MOUNT RING

Note:
 All gauge ports are 1/4" NPT as standard.

Product availability and specifications contained herein are subject to change without notice. Consult local distributor or factory for potential revisions and/or service related issues. Pressure Tech Ltd support with product selection recommendations only - it is the users responsibility to ensure the product is suitable for their specific application requirements.



DESIGNED AND BUILT IN THE UK

PRESSURE TECH LTD
 Unit 24, Graphite Way, Hadfield, Glossop, Derbyshire, UK, SK13 1QH
 T +44 (0)1457 899 307
 E sales@pressure-tech.com
 W www.pressure-tech.com

200819

PAGE: 2 OF 4

BP-LF540 Datasheet

LOW-FLOW BACK PRESSURE REGULATOR

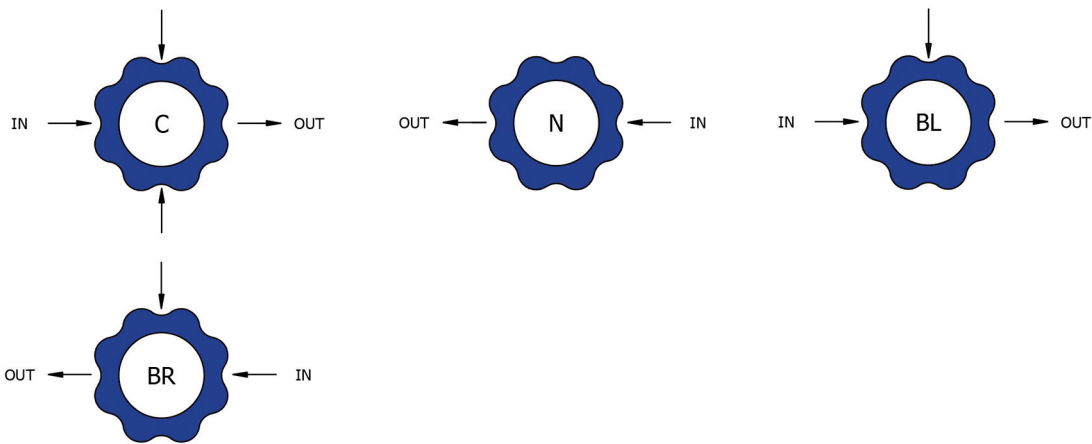


Gas Liquid | Diaphragm Piston | Max Rating: 550 bar (7,975 psi) | Max Inlet Control: 414 bar (6,000 psi) | Cv 0.1

FLOW CURVE

Please contact the office for further information.

PORTING CONFIGURATIONS



Note:

Additional porting configurations are available - please contact the office for further information.

Product availability and specifications contained herein are subject to change without notice. Consult local distributor or factory for potential revisions and/or service related issues. Pressure Tech Ltd support with product selection recommendations only - it is the users responsibility to ensure the product is suitable for their specific application requirements.



DESIGNED AND BUILT IN THE UK

PRESSURE TECH LTD
Unit 24, Graphite Way, Hadfield, Glossop, Derbyshire, UK, SK13 1QH
T +44 (0)1457 899 307
E sales@pressure-tech.com
W www.pressure-tech.com

200819

PAGE:
3 OF 4

BP-LF540 Datasheet

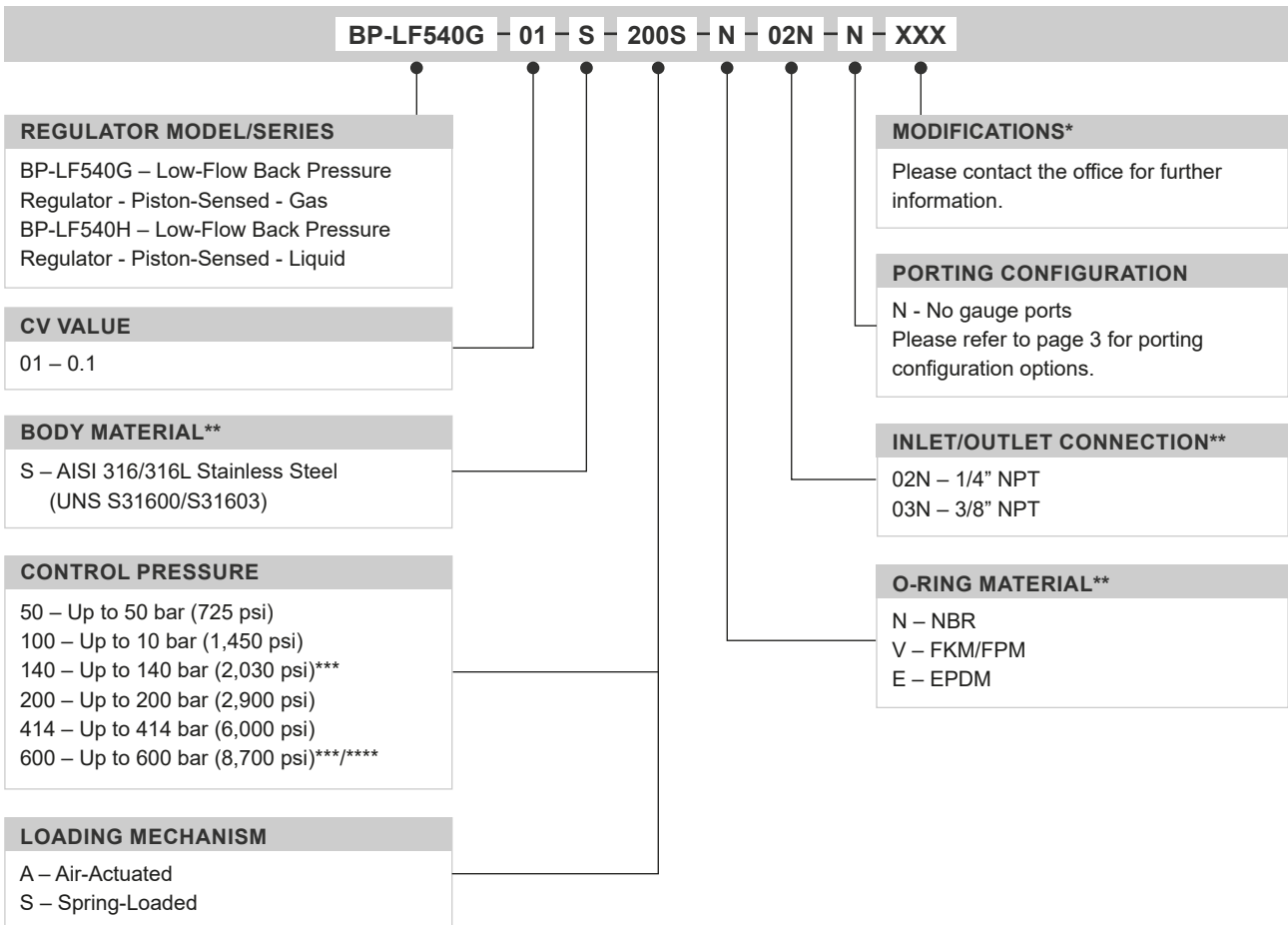
LOW-FLOW BACK PRESSURE REGULATOR



Gas
 Liquid
 Diaphragm
 Piston
 Max Rating: 550 bar (7,795 psi)
 Max Inlet Control: 414 bar (6,000 psi)
 Cv 0.1

ORDERING INFORMATION

To build a Pressure Tech part number, simply combine the characters identified below in sequence:



OPTIONAL EXTRAS		
	PART NUMBER	DESCRIPTION
Service Kit	SRK-BP-LF540...	Various options available
Panel Mounting Ring	PT-C-061-005-RING	Stainless Steel panel mount ring
Panel Mounting Ring	PT-C-061-005-001-RING	Aluminium panel mount ring

Note:
Ancillary equipment also available

TRADEMARK: PEEK™ is a trademark of Victrex PLC
 Elgiloy® is a registered trademark of Elgiloy Specialty Metals

* Where applicable
 ** Other connections/materials may be available - please contact the office
 *** Air-loaded only
 **** Increased supply pressure

Product availability and specifications contained herein are subject to change without notice. Consult local distributor or factory for potential revisions and/or service related issues.
 Pressure Tech Ltd support with product selection recommendations only - it is the users responsibility to ensure the product is suitable for their specific application requirements.



DESIGNED AND BUILT IN THE UK

Haldatec

Phone: +61 3 9872 5822 Email: sales@haldatec.com.au Website: www.haldatec.com.au

200819

PAGE:
4 OF 4