

BP-LF690 Datasheet

LOW-FLOW BACK PRESSURE REGULATOR



Gas Liquid | Diaphragm Piston | Max Rating: 550 bar (7,975 psi) | Control Range: 414 bar (6,000 psi) | Cv 0.1



INTRODUCING THE BP-LF690...

The BP-LF690 is a piston-sensed low-flow back pressure regulator for gas or liquid applications. The gas version includes a thermoplastic seat, whilst the liquid version features metal-to-metal seating. In addition to Stainless Steel, it is available in a range of materials including Titanium, Vespel® and Hastelloy®.

The BP-LF690 accurately controls inlet pressure and vents excess pressure back via the threaded 1/2" NPT/BSPP or 9/16" MP outlet port.

SPECIFICATION

Max. Rating	550 bar (7,975 psi)
Control Range	Up to 414 bar (6,000 psi)
Design Proof Pressure	150% max. working pressure
Seat Leakage	In accordance with ANSI/FCI 70-3
Weight	2.9kg (6.4lbs)

Note: Pressure regulator rating may be limited by connection type, Cv and/or seat material

STANDARD MATERIALS OF CONSTRUCTION

PART	MATERIALS
Body and Bonnet	AISI 316/316L Stainless Steel (UNS S31600 / S31603)
Main Valve Pin	Inconel® 718 (UNS N07718)
Seat	PEEK™ or AISI 316/316L Stainless Steel (UNS S31600/S31603)
Valve Spring	Phynox® (R30003)
Piston	AISI 316/316L Stainless Steel (UNS S31600/S31603)
Handwheel	Nylon
O-Rings	NBR or FKM/FPM
Loading Spring	Alloy Spring Steel

FEATURES AND BENEFITS

1 PISTON SENSING ELEMENT

Perfect for use in challenging conditions.

2 RANGE OF SEAT MATERIALS

Covers a wide range of applications.

3 OPTIONAL AIR ACTUATOR

Fine remote adjustment.

4 LOW CV (0.02)

Accurate control of process media.

Product availability and specifications contained herein are subject to change without notice. Consult local distributor or factory for potential revisions and/or service related issues. Pressure Tech Ltd support with product selection recommendations only - it is the users responsibility to ensure the product is suitable for their specific application requirements.



DESIGNED AND BUILT IN THE UK

PRESSURE TECH LTD

Unit 24, Graphite Way, Hadfield, Glossop, Derbyshire, UK, SK13 1QH
 T +44 (0)1457 899 307
 E sales@pressure-tech.com
 W www.pressure-tech.com

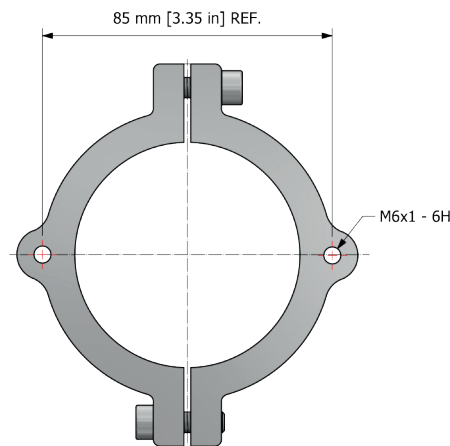
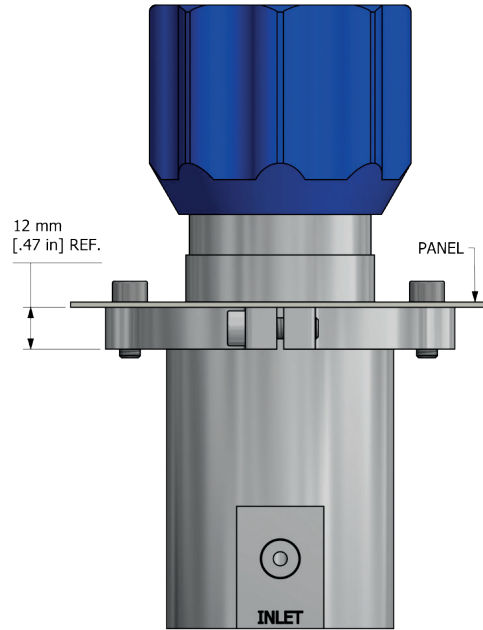
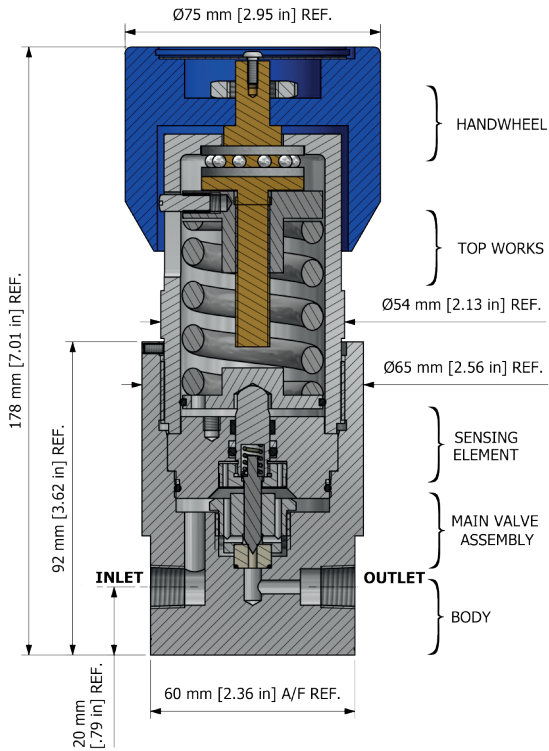
090119

PAGE:
1 OF 4

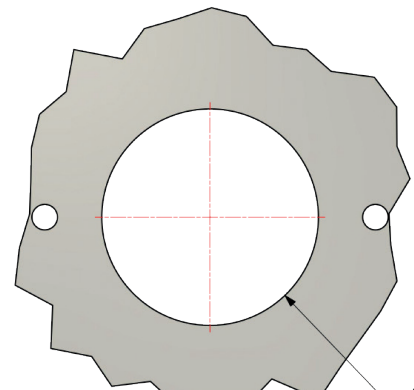
● Gas ● Liquid |
 ● Diaphragm ● Piston |
 Max Rating: 550 bar (7,975 psi) |
 Control Range: 414 bar (6,000 psi) |
 Cv 0.1

DRAWINGS AND INSTALLATION DIMENSIONS

Dimensions shown for 1/4" NPT option - please contact the office for additional connection options.



PT-C-061-003-RING (STAINLESS STEEL)
 PT-C-061-003-001-RING (ALUMINIUM)
 PANEL MOUNT RING



Note:

All gauge ports are 1/4" NPT as standard.

Product availability and specifications contained herein are subject to change without notice. Consult local distributor or factory for potential revisions and/or service related issues. Pressure Tech Ltd support with product selection recommendations only - it is the users responsibility to ensure the product is suitable for their specific application requirements.



DESIGNED AND BUILT IN THE UK

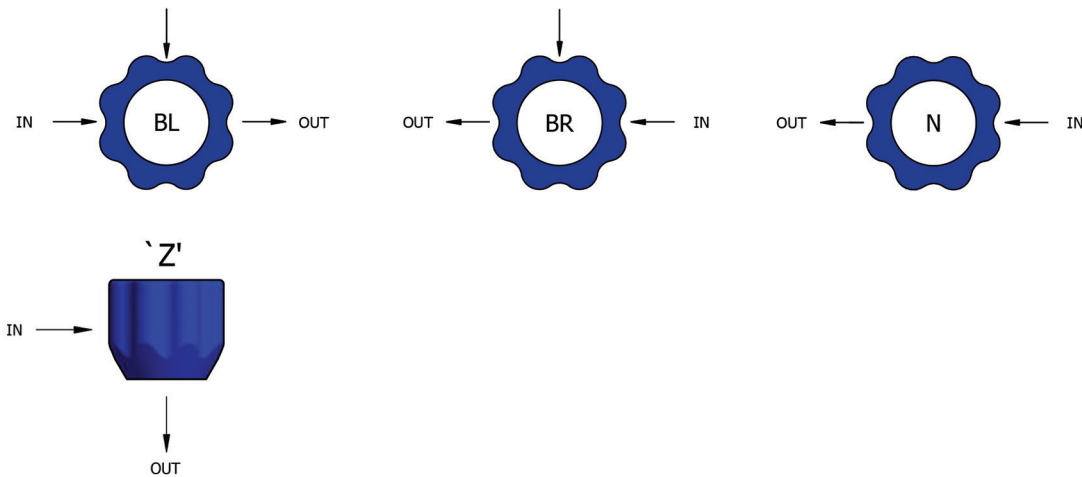
PRESSURE TECH LTD

Unit 24, Graphite Way, Hadfield, Glossop, Derbyshire, UK, SK13 1QH
 T +44 (0)1457 899 307
 E sales@pressure-tech.com
 W www.pressure-tech.com

FLOW CURVE

Please contact the office for further information.

PORTING CONFIGURATIONS



Note:

Additional porting configurations are available - please contact the office for further information.

Product availability and specifications contained herein are subject to change without notice. Consult local distributor or factory for potential revisions and/or service related issues. Pressure Tech Ltd support with product selection recommendations only - it is the users responsibility to ensure the product is suitable for their specific application requirements.



DESIGNED AND BUILT IN THE UK



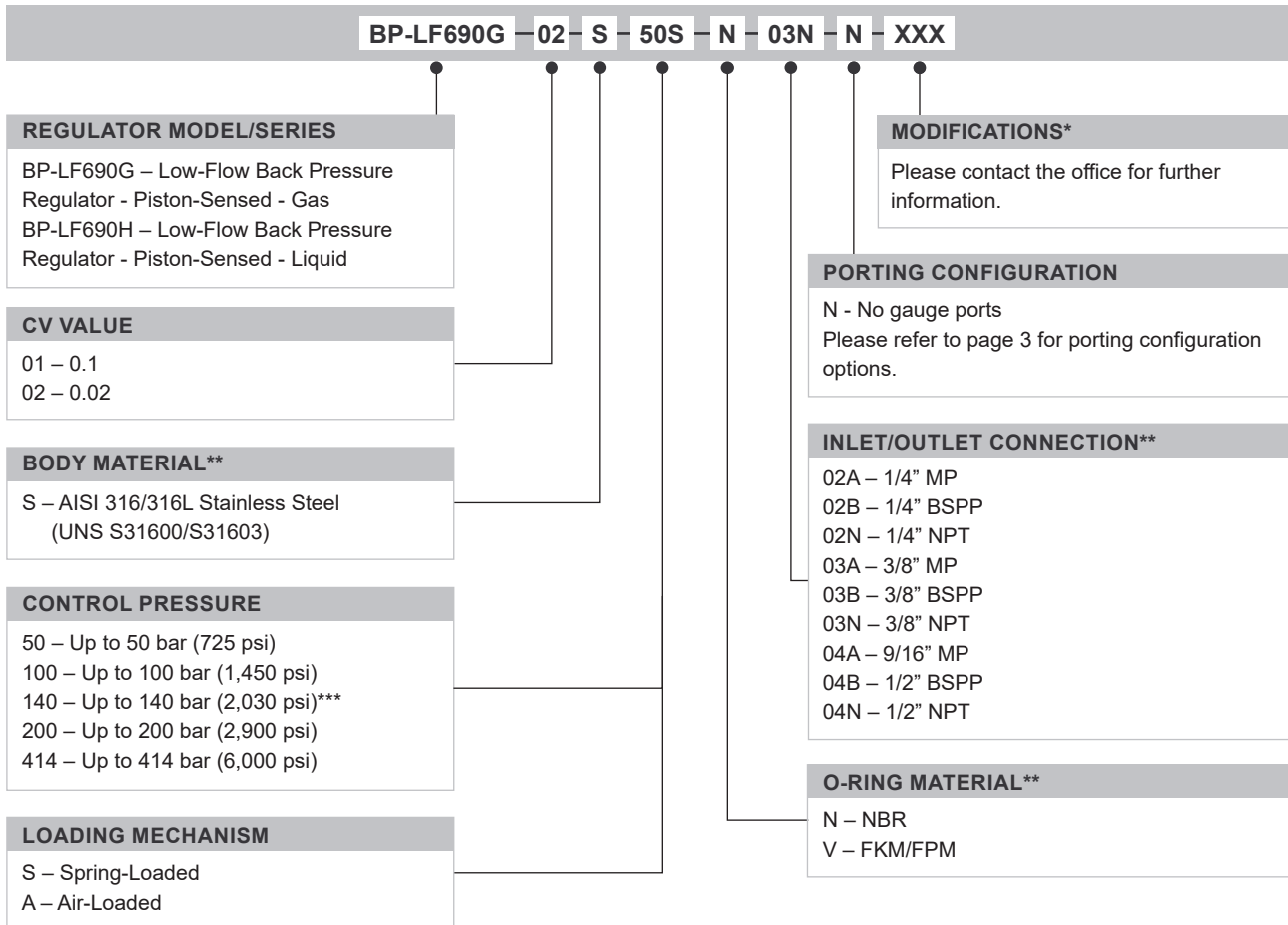
PRESSURE TECH LTD

Unit 24, Graphite Way, Hadfield, Glossop, Derbyshire, UK, SK13 1QH
T +44 (0)1457 899 307
E sales@pressure-tech.com
W www.pressure-tech.com

Gas
 Liquid
 Diaphragm
 Piston
 Max Rating: 550 bar (7,975 psi)
 Control Range: 414 bar (6,000 psi)
 Cv 0.1

ORDERING INFORMATION

To build a Pressure Tech part number, simply combine the characters identified below in sequence:



OPTIONAL EXTRAS		
	PART NUMBER	DESCRIPTION
Service Kit	SRK-BP-LF690...	Various options available
Panel Mounting Ring	PT-C-061-003-RING	Stainless Steel panel mount ring
Panel Mounting Ring	PT-C-061-003-001-RING	Aluminium panel mount ring

Note:
Ancillary equipment also available

TRADEMARK: Hastelloy® is a registered trademark of Haynes International, Inc
 Inconel® is a registered trademark of Inco Alloys International
 PEEK™ is a trademark of Victrex PLC
 Phynox® is a registered trademark of Imphy UGINE Precision
 Vespel® is a registered trademark of DuPont

* Where applicable
 ** Other materials/connections may be available - please contact the office
 *** Air-loaded only

Product availability and specifications contained herein are subject to change without notice. Consult local distributor or factory for potential revisions and/or service related issues. Pressure Tech Ltd support with product selection recommendations only - it is the users responsibility to ensure the product is suitable for their specific application requirements.



DESIGNED AND BUILT IN THE UK

Haldatec

Phone: +61 3 9872 5822 Email: sales@haldatec.com.au Website: www.haldatec.com.au

090119

PAGE:
4 OF 4