

BP-LF691 Datasheet

LOW-FLOW BACK PRESSURE REGULATOR



Gas
 Liquid
 Diaphragm
 Piston
 Max Rating: 1,034 bar (15,000 psi)
 Control Range: 900 bar (13,050 psi)
 Cv 0.1



INTRODUCING THE BP-LF691...

The BP-LF691 is a piston-sensed low-flow back pressure regulator for gas or liquid applications. As standard, the gas version includes a PEEK™ seat, whilst the liquid version features 316SS seating. Alternatively, other seats are available to suit your application including Titanium, Vespel® and Hastelloy®.

The BP-LF691 accurately controls inlet pressure and vents excess pressure back via the threaded 1/2" NPT/BSPP or 9/16" MP outlet port.

SPECIFICATION

Max. Rating	1,034 bar (15,000 psi)
Control Range	Up to 900 bar (13,050 psi)
Design Proof Pressure	150% max. working pressure
Seat Leakage	In accordance with ANSI/FCI 70-3
Weight	2.9kg (6.4lbs)

Note: Pressure regulator rating may be limited by connection type, Cv and seat material

STANDARD MATERIALS OF CONSTRUCTION

PART	MATERIALS
Body and Bonnet	AISI 316/316L Stainless Steel (UNS S31600/S31603) AISI 17-4 Stainless Steel (UNS S17400)
Main Valve Pin	Inconel® 718 (UNS N07718)
Seat	PEEK™ or AISI 316/316L Stainless Steel (UNS S31600/S31603)
Valve Spring	Phynox® (R30003)
Piston	AISI 316/316L Stainless Steel (UNS S31600/S31603)
Handwheel	Nylon
O-Rings	NBR or FKM/FPM
Loading Spring	Alloy Spring Steel

FEATURES AND BENEFITS

1 PISTON SENSING ELEMENT

Perfect for use in challenging conditions.

2 RANGE OF SEAT MATERIALS

Covers a wide range of applications.

3 OPTIONAL AIR ACTUATOR

Fine remote adjustment.

4 LOW CV (0.02)

Accurate control of process media.

Product availability and specifications contained herein are subject to change without notice. Consult local distributor or factory for potential revisions and/or service related issues. Pressure Tech Ltd support with product selection recommendations only - it is the users responsibility to ensure the product is suitable for their specific application requirements.



DESIGNED AND BUILT IN THE UK

PRESSURE TECH LTD

Unit 24, Graphite Way, Hadfield, Glossop, Derbyshire, UK, SK13 1QH
 T +44 (0)1457 899 307
 E sales@pressure-tech.com
 W www.pressure-tech.com

081119

PAGE:
1 OF 4

BP-LF691 Datasheet

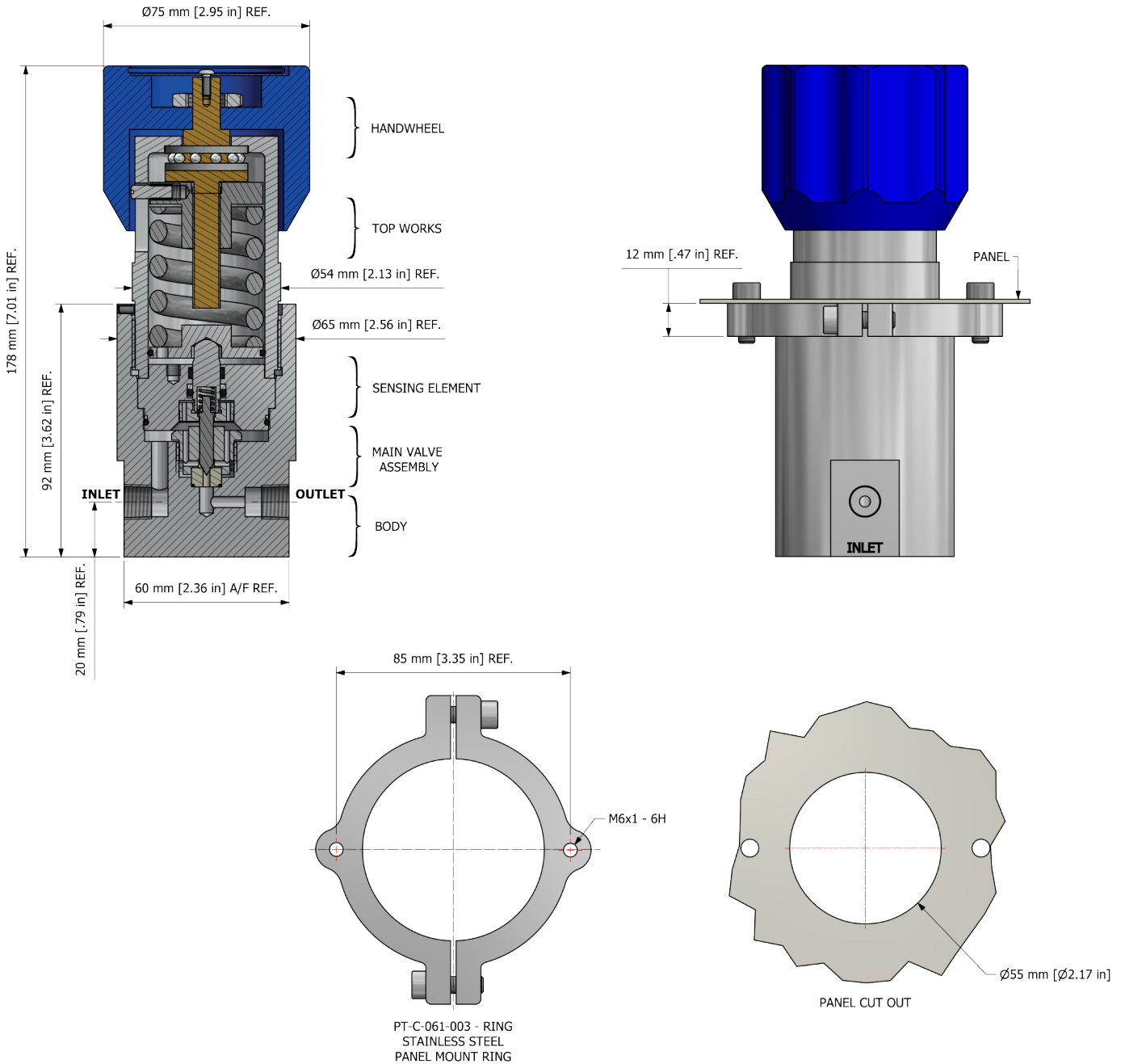
LOW-FLOW BACK PRESSURE REGULATOR



● Gas ● Liquid | ● Diaphragm ● Piston | Max Rating: 1,034 bar (15,000 psi) | Control Range: 900 bar (13,050 psi) | Cv 0.1

DRAWINGS AND INSTALLATION DIMENSIONS

Dimensions shown for 1/4" NPT option - please contact the office for additional connection options.



Note:
All gauge ports are 1/4" NPT as standard.

Product availability and specifications contained herein are subject to change without notice. Consult local distributor or factory for potential revisions and/or service related issues. Pressure Tech Ltd support with product selection recommendations only - it is the users responsibility to ensure the product is suitable for their specific application requirements.



DESIGNED AND BUILT IN THE UK

PRESSURE TECH LTD
Unit 24, Graphite Way, Hadfield, Glossop, Derbyshire, UK, SK13 1QH
T +44 (0)1457 899 307
E sales@pressure-tech.com
W www.pressure-tech.com

081119

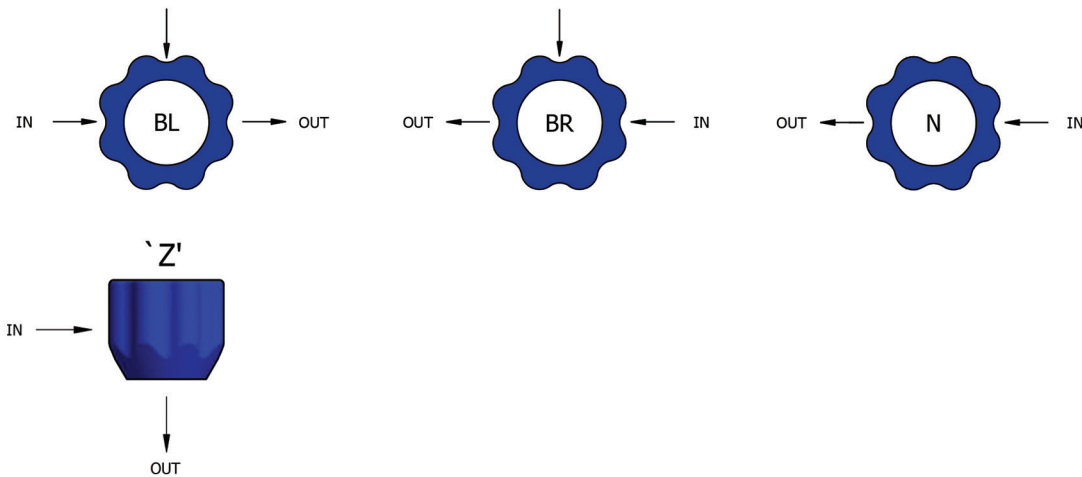
PAGE:
2 OF 4

Gas Liquid | Diaphragm Piston | Max Rating: 1,034 bar (15,000 psi) | Control Range: 900 bar (13,050 psi) | Cv 0.1

FLOW CURVE

Please contact the office for further information.

PORTING CONFIGURATIONS



Note:

Additional porting configurations are available - please contact the office for further information.

Product availability and specifications contained herein are subject to change without notice. Consult local distributor or factory for potential revisions and/or service related issues. Pressure Tech Ltd support with product selection recommendations only - it is the users responsibility to ensure the product is suitable for their specific application requirements.



DESIGNED AND BUILT IN THE UK

PRESSURE TECH LTD

Unit 24, Graphite Way, Hadfield, Glossop, Derbyshire, UK, SK13 1QH
T +44 (0)1457 899 307
E sales@pressure-tech.com
W www.pressure-tech.com

BP-LF691 Datasheet

LOW-FLOW BACK PRESSURE REGULATOR



Gas
 Liquid
 Diaphragm
 Piston
 Max Rating: 1,034 bar (15,000 psi)
 Control Range: 900 bar (13,050 psi)
 Cv 0.1

ORDERING INFORMATION

To build a Pressure Tech part number, simply combine the characters identified below in sequence:

BP-LF691G - 02 - S - 600S - N - 03N - N - XXX	
<p>REGULATOR MODEL/SERIES</p> <p>BP-LF691G – Low-Flow Back Pressure Regulator - Gas BP-LF691H – Low-Flow Back Pressure Regulator - Liquid</p> <p>CV VALUE</p> <p>01 – 0.1 02 – 0.02</p> <p>BODY MATERIAL**</p> <p>S – AISI 316/316L Stainless Steel (UNS S31600/S31603) R – AISI 17-4 Stainless Steel (UNS S17400)</p> <p>CONTROL PRESSURE</p> <p>600 – Up to 600 bar (8,700 psi)*** 690 – Up to 690 bar (10,000 psi) 900 – Up to 900 bar (13,025 psi)**** - 'R' body required</p> <p>LOADING MECHANISM</p> <p>S – Spring-Loaded A – Air-Loaded</p>	<p>MODIFICATIONS*</p> <p>Please contact the office for further information.</p> <p>PORTING CONFIGURATION</p> <p>N - No gauge ports Please refer to page 3 for porting configuration options.</p> <p>INLET/OUTLET CONNECTION**</p> <p>02A – 1/4" MP 02N – 1/4" NPT 03A – 3/8" MP 03N – 3/8" NPT 04A – 9/16" MP 04N – 1/2" NPT</p> <p>O-RING MATERIAL**</p> <p>N – NBR V – FKM/FPM</p>

OPTIONAL EXTRAS		
	PART NUMBER	DESCRIPTION
Service Kit	SRK-BP-LF691...	Various options available
Panel Mounting Ring	PT-C-061-006-RING	Stainless Steel panel mount ring

Note: Ancillary equipment also available

TRADEMARK: Hastelloy® is a registered trademark of Haynes International, Inc
 Inconel® is a registered trademark of Inco Alloys International
 PEEK™ is a trademark of Victrex PLC
 Phynox® is a registered trademark of Imphy Ugin Precision
 Vespel® is a registered trademark of DuPont

* Where applicable
 ** Other materials/connections may be available - please contact the office
 *** Air-loaded only
 **** T-Bar adjustment/long bonnet

Product availability and specifications contained herein are subject to change without notice. Consult local distributor or factory for potential revisions and/or service related issues. Pressure Tech Ltd support with product selection recommendations only - it is the users responsibility to ensure the product is suitable for their specific application requirements.



DESIGNED AND BUILT IN THE UK

Haldatec

Phone: +61 3 9872 5822 Email: sales@haldatec.com.au Website: www.haldatec.com.au

081119

PAGE:
4 OF 4