

BP-MF401 Datasheet

MEDIUM-FLOW BACK PRESSURE REGULATOR



Gas
 Liquid
 Diaphragm
 Piston
 Max Rating: 400 bar (5,800 psi)
 Max Inlet Control: 200 bar (2,900 psi)
 Cv 3.0



INTRODUCING THE BP-MF401...

The BP-MF401 is a piston-sensed medium-flow back pressure regulator for gas or liquid applications with a **balanced main valve** design. The liquid version includes a PEEK™ seat, whilst the gas version features PCTFE seating.

This accurate regulator controls inlet pressure and vents excess pressure back via the threaded NPT or BSP outlet port of up to 1" diameter.

SPECIFICATION

Max. Rating	400 bar (5,800 psi)
Max. Inlet Control	Up to 200 bar (2,900 psi)
Design Proof Pressure	150% max. working pressure
Seat Leakage	In accordance with ANSI/FCI 70-3
Weight	5.5kg (12.1lbs)

* Pressure regulator rating may be limited by connection type, Cv and/or seat material

STANDARD MATERIALS OF CONSTRUCTION

PART	MATERIALS
Body and Bonnet	AISI 316/316L Stainless Steel (UNS S31600/S31603)
Main Valve Pin	AISI 316/316L Stainless Steel (UNS S31600/S31603)
Soft Seat	PEEK™ or PCTFE
Valve Spring	AISI 302 Stainless Steel (UNS S30200)
Handwheel	Nylon
Piston	AISI 316/316L Stainless Steel (UNS S31600/S31603)
O-Rings	NBR, FKM/FPM, EPDM or FFKM
Loading Spring	Alloy Spring Steel

FEATURES AND BENEFITS

<p>1 PRECISION MACHINED SENSING ELEMENT</p> <p>For accurate pressure control.</p>	<p>2 EASY ACCESS TO SEAT CARTRIDGE</p> <p>Simplified servicing through base of regulator.</p>	<p>3 FLANGE-TYPE BONNET</p> <p>Quick and easy access for maintenance.</p>	<p>4 BALANCED MAIN VALVE DESIGN</p> <p>Improved control across the pressure range.</p>
--	--	--	---

Product availability and specifications contained herein are subject to change without notice. Consult local distributor or factory for potential revisions and/or service related issues. Pressure Tech Ltd support with product selection recommendations only - it is the users responsibility to ensure the product is suitable for their specific application requirements.



DESIGNED AND BUILT IN THE UK

PRESSURE TECH LTD
 Unit 24, Graphite Way, Hadfield, Glossop, Derbyshire, UK, SK13 1QH
 T +44 (0)1457 899 307
 E sales@pressure-tech.com
 W www.pressure-tech.com

210819

PAGE:
1 OF 4

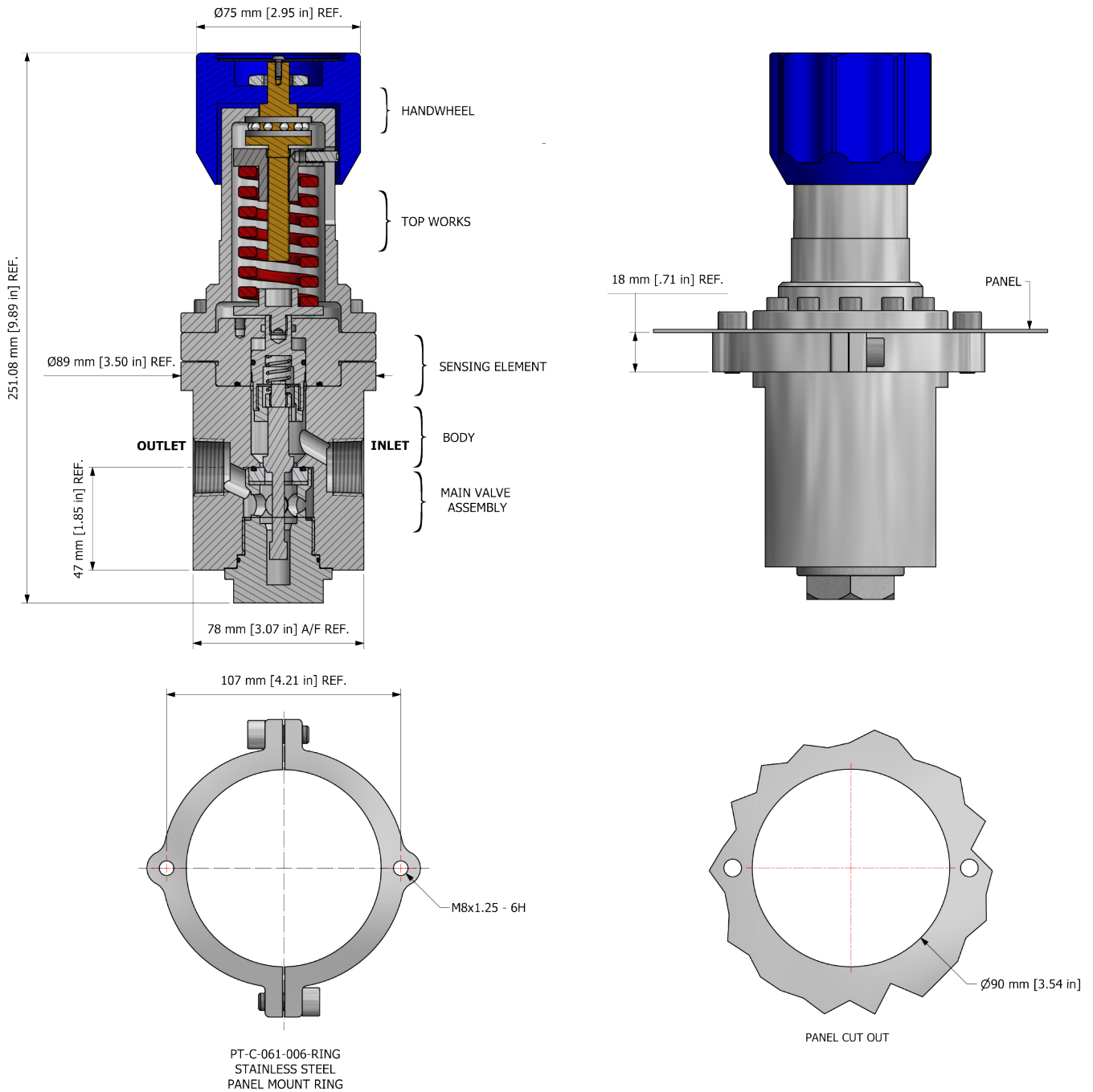
BP-MF401 Datasheet

MEDIUM-FLOW BACK PRESSURE REGULATOR



● Gas ● Liquid |
 ● Diaphragm ● Piston |
 Max Rating: 400 bar (5,800 psi) |
 Max Inlet Control: 200 bar (2,900 psi) |
 Cv 3.0

DRAWINGS AND INSTALLATION DIMENSIONS



Note:
All gauge ports are 1/4" NPT as standard.

Product availability and specifications contained herein are subject to change without notice. Consult local distributor or factory for potential revisions and/or service related issues. Pressure Tech Ltd support with product selection recommendations only - it is the users responsibility to ensure the product is suitable for their specific application requirements.



DESIGNED AND BUILT IN THE UK

PRESSURE TECH LTD
 Unit 24, Graphite Way, Hadfield, Glossop, Derbyshire, UK, SK13 1QH
 T +44 (0)1457 899 307
 E sales@pressure-tech.com
 W www.pressure-tech.com

210819

PAGE:
2 OF 4

BP-MF401 Datasheet

MEDIUM-FLOW BACK PRESSURE REGULATOR

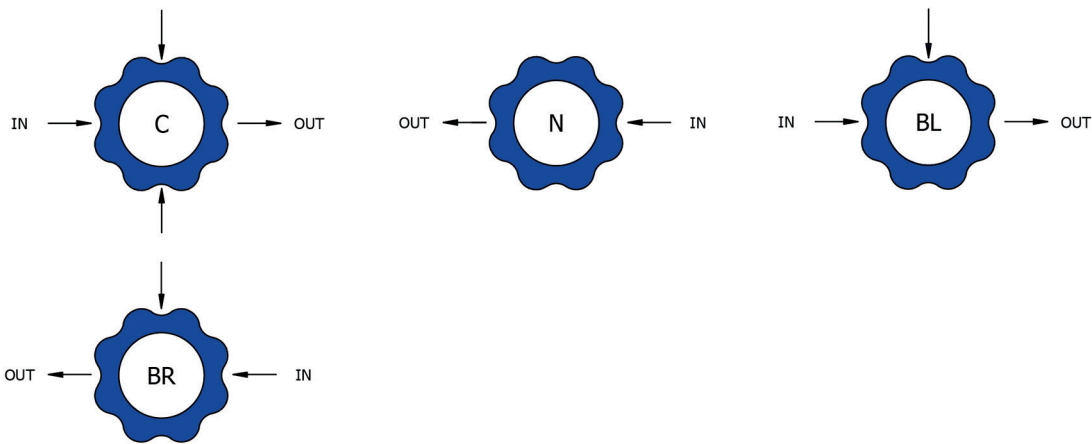


Gas Liquid | Diaphragm Piston | Max Rating: 400 bar (5,800 psi) | Max Inlet Control: 200 bar (2,900 psi) | Cv 3.0

FLOW CURVE

Please contact the office for further information.

PORTING CONFIGURATIONS



Note:

Additional porting configurations are available - please contact the office for further information.

Product availability and specifications contained herein are subject to change without notice. Consult local distributor or factory for potential revisions and/or service related issues. Pressure Tech Ltd support with product selection recommendations only - it is the users responsibility to ensure the product is suitable for their specific application requirements.



DESIGNED AND BUILT IN THE UK

PRESSURE TECH LTD

Unit 24, Graphite Way, Hadfield, Glossop, Derbyshire, UK, SK13 1QH
T +44 (0)1457 899 307
E sales@pressure-tech.com
W www.pressure-tech.com

210819

PAGE:
3 OF 4

BP-MF401 Datasheet

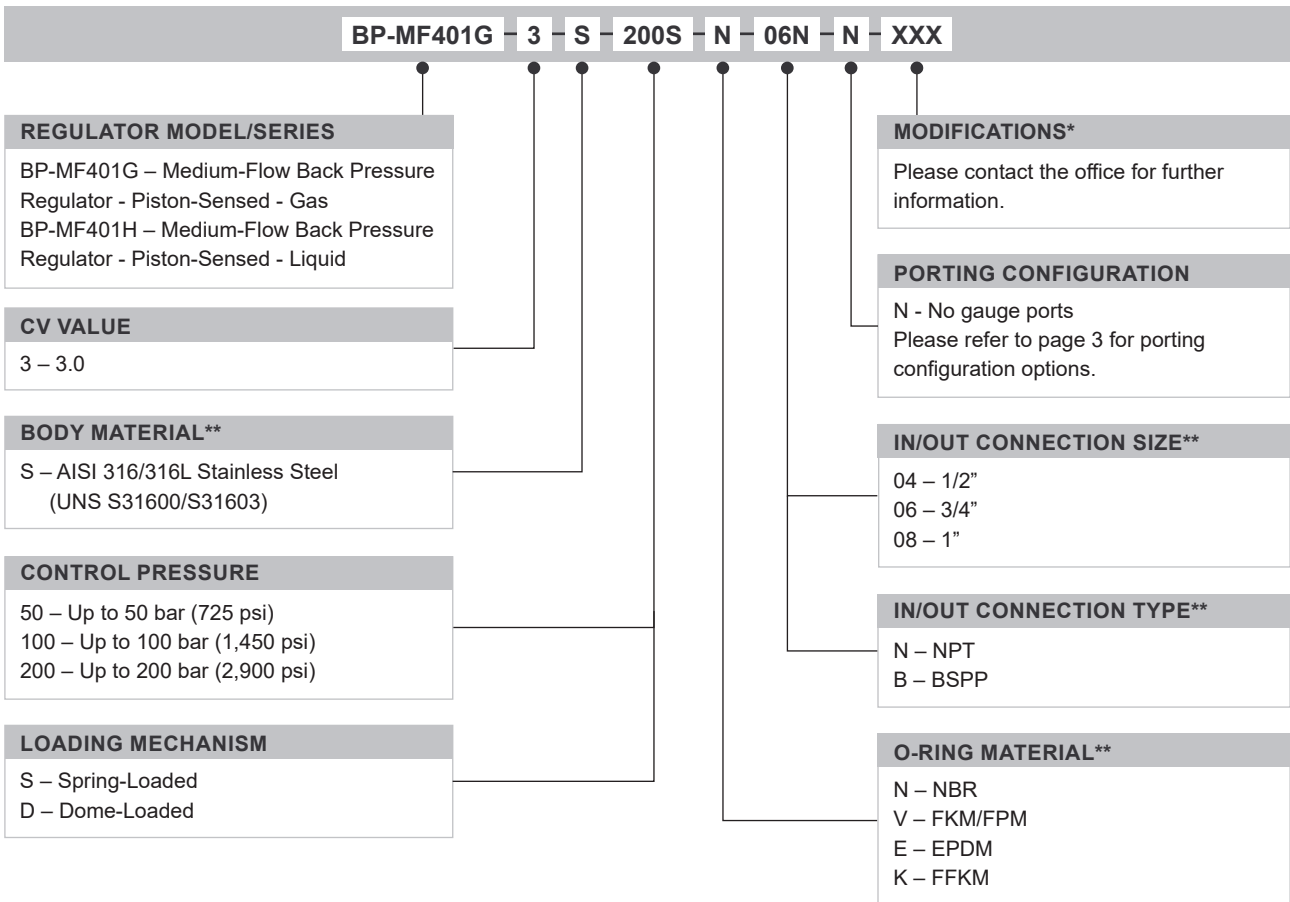
MEDIUM-FLOW BACK PRESSURE REGULATOR



Gas
 Liquid
 |
 Diaphragm
 Piston
 |
 Max Rating: 400 bar (5,800 psi)
 |
 Max Inlet Control: 200 bar (2,900 psi)
 |
 Cv 3.0

ORDERING INFORMATION

To build a Pressure Tech part number, simply combine the characters identified below in sequence:



OPTIONAL EXTRAS		
	PART NUMBER	DESCRIPTION
Service Kit	SRK-BP-MF401...	Various options available
Panel Mounting Ring	PT-C-061-006-RING	Stainless Steel panel mount ring

Note:
Ancillary equipment also available

TRADEMARK: PEEK™ is a trademark of Victrex PLC

* Where applicable

** Other materials/connections may be available - please contact the office

Product availability and specifications contained herein are subject to change without notice. Consult local distributor or factory for potential revisions and/or service related issues. Pressure Tech Ltd support with product selection recommendations only - it is the users responsibility to ensure the product is suitable for their specific application requirements.



DESIGNED AND BUILT IN THE UK

Haldatec

Phone: +61 3 9872 5822 Email: sales@haldatec.com.au Website: www.haldatec.com.au

210819

PAGE:
4 OF 4