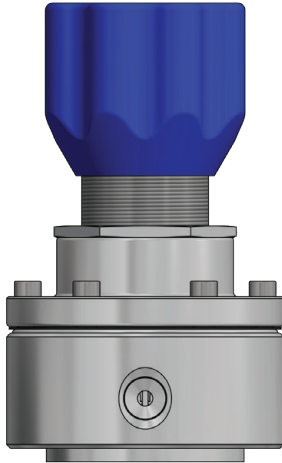


BP010 Datasheet

BACK PRESSURE REGULATOR



Gas Liquid | Diaphragm Piston | Self-Venting Non-Venting | Max Rating: 10 bar (145 psi) | Control Range: 5 bar (75 psi) | Cv 0.1



INTRODUCING THE BP010...

The BP010 is an elastomeric diaphragm-sensed back pressure regulator, offering sensitive control.

Featuring a spring-loaded design, the BP010 offers a bolted bonnet for simplified servicing through its top access. In addition, its threaded bonnet comes as standard for optional panel mounting.

A sub-atmospheric version is also available which can be used to control a negative pressure upstream of the regulator - please ask for details.

STANDARD MATERIALS OF CONSTRUCTION

PART	MATERIALS
Body and Bonnet	AISI 316/316L Stainless Steel (UNS S31600/S31603)
Main Valve Pin	AISI 316/316L Stainless Steel (UNS S31600/S31603)
Soft Seat	PCTFE
Diaphragm	PTFE-Lined Elastomeric
Handwheel	Nylon
O-Rings	FKM/FPM
Loading Spring	AISI 302 Stainless Steel (UNS S30200)

SPECIFICATION

Max. Rating	10 bar (145 psi)
Control Range	Up to 5 bar (75 psi)
Design Proof Pressure	150% max. working pressure
Seat Leakage	In accordance with ANSI/FCI 70-3
Weight	1kg (2.2lbs)

* Pressure regulator rating may be limited by connection type, Cv and/or seat material

FEATURES AND BENEFITS

1 ELASTOMERIC DIAPHRAGM-SENSED DESIGN

For sensitive pressure control.

2 TEFLON™ LINED DIAPHRAGM

Offers a good chemical resistance.

3 BOLTED BONNET

Simplified servicing through top access.

4 316SS THREADED BONNET

For panel mounting option as standard.

NOTE: Product availability and specifications contained herein are subject to change without notice. Consult local distributor or factory for potential revisions and/or service related issues. Pressure Tech Ltd support with product selection recommendations only - it is the users responsibility to ensure the product is suitable for their specific application requirements.



DESIGNED AND BUILT IN THE UK

PRESSURE TECH LTD

Unit 24, Graphite Way, Hadfield, Glossop, Derbyshire, UK, SK13 1QH

T +44 (0)1457 899 307

E sales@pressure-tech.com

W www.pressure-tech.com

200819

PAGE:
1 OF 4

BP010 Datasheet

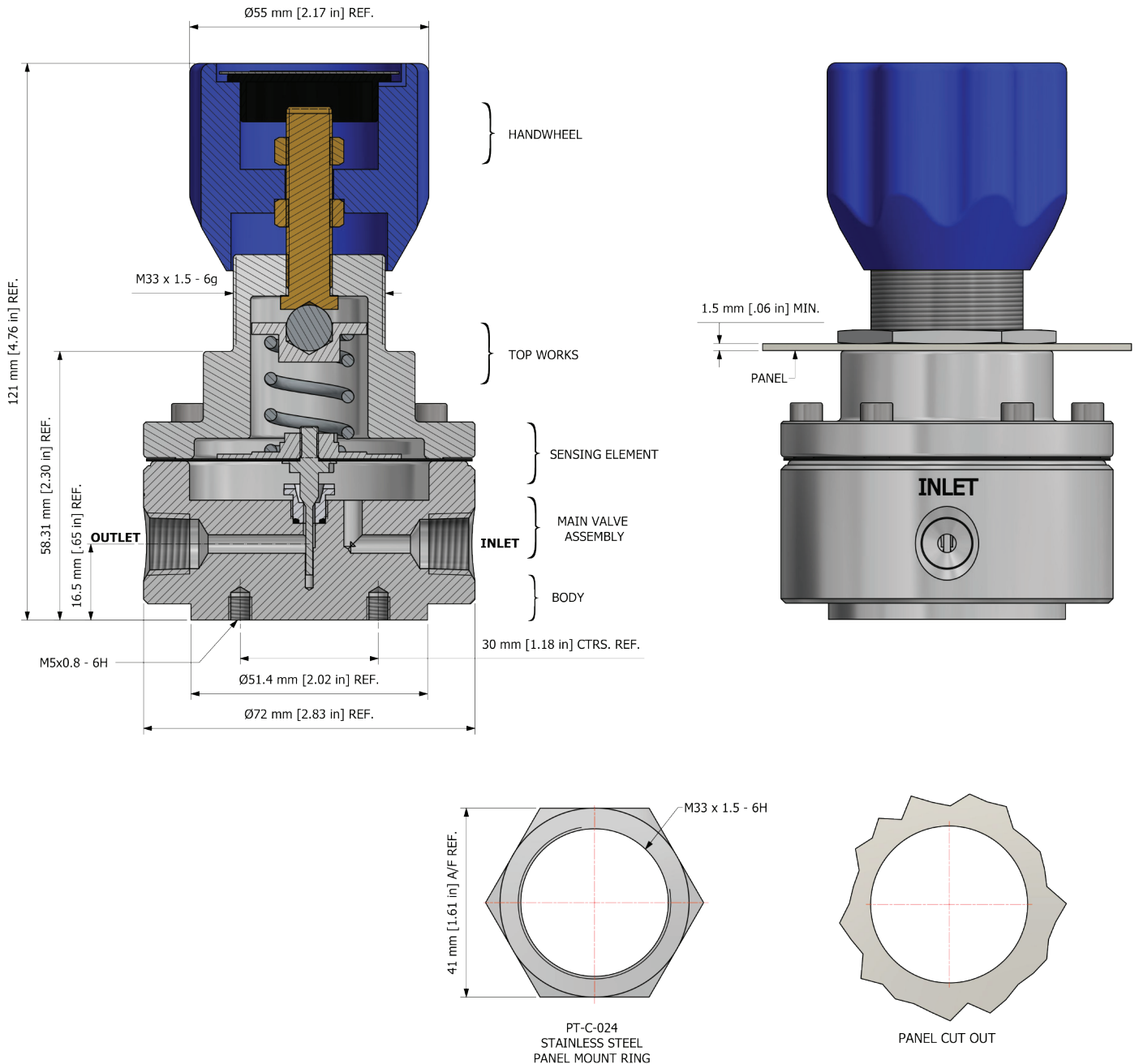
BACK PRESSURE REGULATOR



Gas
 Liquid
 |
 Diaphragm
 Piston
 |
 Self-Venting
 Non-Venting
 |
 Max Rating: 10 bar (145 psi)
 |
 Control Range: 5 bar (75 psi)
 |
 Cv 0.1

DRAWINGS AND INSTALLATION DIMENSIONS

Dimensions shown for 1/4" NPT option - please contact the office for additional connections options.



Note:

All gauge ports are 1/4" NPT as standard.

NOTE: Product availability and specifications contained herein are subject to change without notice. Consult local distributor or factory for potential revisions and/or service related issues. Pressure Tech Ltd support with product selection recommendations only - it is the users responsibility to ensure the product is suitable for their specific application requirements.



DESIGNED AND BUILT IN THE UK

PRESSURE TECH LTD
 Unit 24, Graphite Way, Hadfield, Glossop, Derbyshire, UK, SK13 1QH
 T +44 (0)1457 899 307
 E sales@pressure-tech.com
 W www.pressure-tech.com

200819

PAGE: 2 OF 4

BP010 Datasheet

BACK PRESSURE REGULATOR

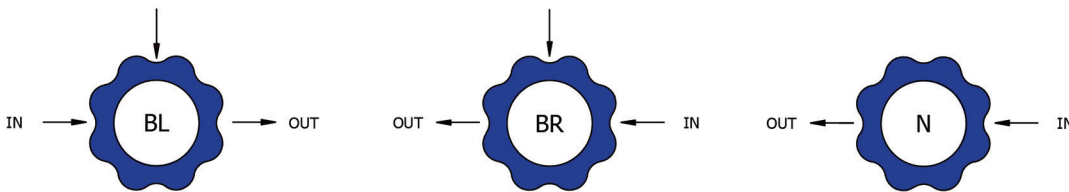


Gas Liquid | Diaphragm Piston | Self-Venting Non-Venting | Max Rating: 10 bar (145 psi) | Control Range: 5 bar (75 psi) | Cv 0.1

FLOW CURVE

Please contact the office for further information.

PORTING CONFIGURATIONS



Note:

Additional porting configurations are available - please contact the office for further information.

NOTE: Product availability and specifications contained herein are subject to change without notice. Consult local distributor or factory for potential revisions and/or service related issues. Pressure Tech Ltd support with product selection recommendations only - it is the users responsibility to ensure the product is suitable for their specific application requirements.



DESIGNED AND BUILT IN THE UK



PRESSURE TECH LTD

Unit 24, Graphite Way, Hadfield, Glossop, Derbyshire, UK, SK13 1QH
T +44 (0)1457 899 307
E sales@pressure-tech.com
W www.pressure-tech.com

200819

PAGE:
3 OF 4

BP010 Datasheet

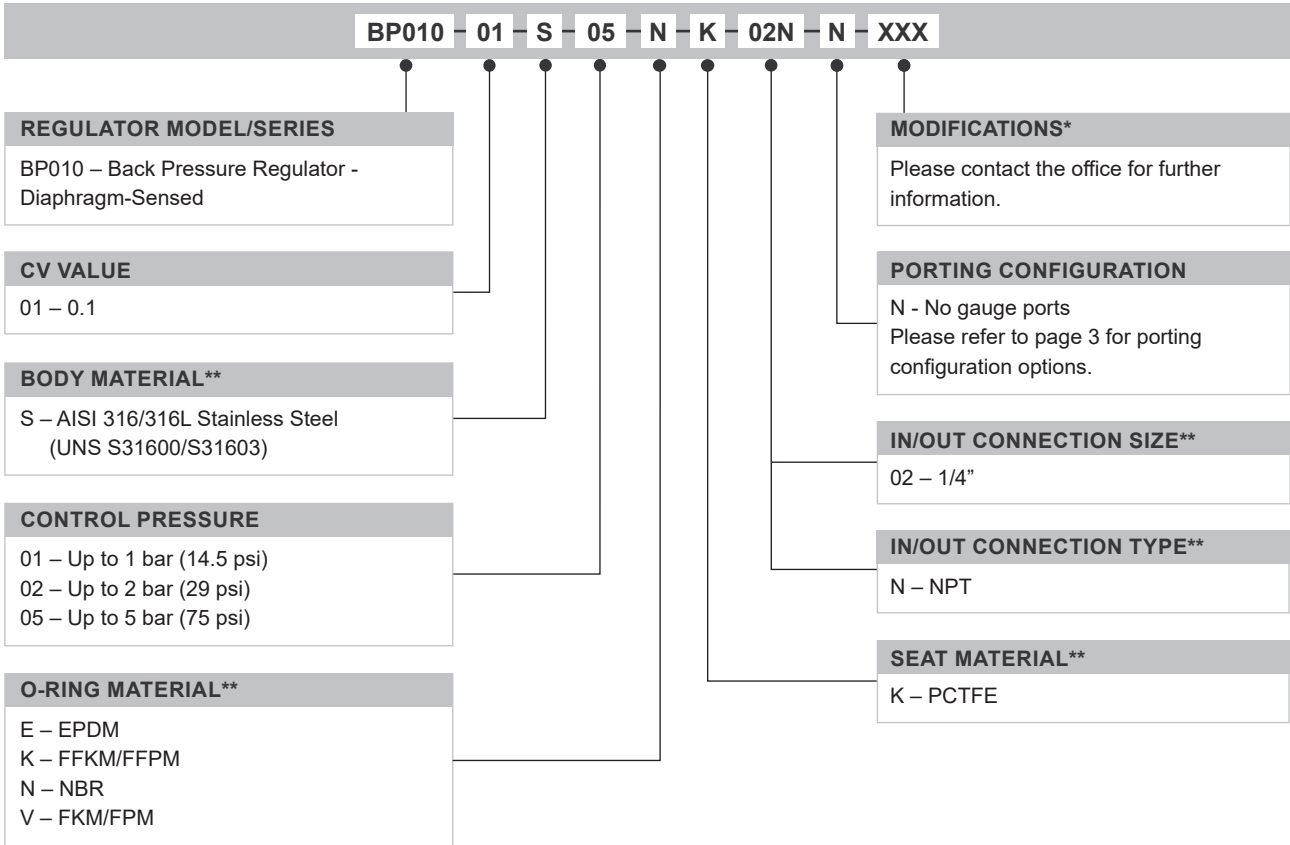
BACK PRESSURE REGULATOR



Gas
 Liquid
 |
 Diaphragm
 Piston
 |
 Self-Venting
 Non-Venting
 |
 Max Rating: 10 bar (145 psi)
 |
 Control Range: 5 bar (75 psi)
 |
 Cv 0.1

ORDERING INFORMATION

To build a Pressure Tech part number, simply combine the characters identified below in sequence:



OPTIONAL EXTRAS		
	PART NUMBER	DESCRIPTION
Service Kit	SRK-BP010...	Various options available
Panel Mounting Ring	PT-C-024	Stainless Steel panel mount ring

Note:
Ancillary equipment also available

* Where applicable
** Other materials/connections may be available - please contact the office

NOTE: Product availability and specifications contained herein are subject to change without notice. Consult local distributor or factory for potential revisions and/or service related issues. Pressure Tech Ltd support with product selection recommendations only - it is the users responsibility to ensure the product is suitable for their specific application requirements.



DESIGNED AND BUILT IN THE UK

Haldatec

Phone: +61 3 9872 5822 Email: sales@haldatec.com.au Website: www.haldatec.com.au

200819

PAGE:
4 OF 4