

HF301 Datasheet

HIGH-FLOW PRESSURE REGULATOR



Gas
 Liquid
 Diaphragm
 Piston
 Self-Venting
 Non-Venting
 Max Inlet: 300 bar (4,350 psi)
 Max Outlet: 300 bar (4,350 psi)
 Cv 4.0



INTRODUCING THE HF301...

The HF301 is a non-venting piston-sensed high-flow pressure regulator for gas or liquid applications with a **balanced main valve** design. The liquid version includes a Vespe^l® seat, whilst the gas version features PEEK™ seating. The HF301 provides stable control with a high level of accuracy under varying inlet pressures.

An unbalanced option can be offered alternatively for applications with maximum inlet pressures of up to 50 bar (725 psi).

SPECIFICATION

Max. Rated Inlet Pressure	300 bar (4,350 psi)
Outlet Ranges	Up to 300 bar (4,350 psi)
Design Proof Pressure	150% max. working pressure
Seat Leakage	In accordance with ANSI/FCI 70-3
Weight	9.7kg (21.4lbs)

* Pressure regulator rating may be limited by connection type, Cv and/or seat material

STANDARD MATERIALS OF CONSTRUCTION

PART	MATERIALS
Body and Bonnet	AISI 316/316L Stainless Steel (UNS S31600/S31603)
Main Valve Pin	AISI 316/316L Stainless Steel (UNS S31600/S31603)
Soft Seat	Vespe ^l ® or PEEK™
Valve Spring	Inconel® X750
Piston	AISI 316/316L Stainless Steel (UNS S31600/S31603)
O-Rings	FKM/FPM
Loading Spring	High Grade Alloy Spring Steel

FEATURES AND BENEFITS

1 PISTON SENSING ELEMENT

Perfect for use in challenging conditions.

2 BALANCED MAIN VALVE DESIGN

Improved control across the pressure range.

3 HIGH FLOW COEFFICIENT

CV 4.0 for high-flow capabilities.

4 SUITABLE FOR GAS OR LIQUID APPLICATIONS

Versatile usage across a range of media-types.

NOTE: Product availability and specifications contained herein are subject to change without notice. Consult local distributor or factory for potential revisions and/or service related issues. Pressure Tech Ltd support with product selection recommendations only - it is the users responsibility to ensure the product is suitable for their specific application requirements.



DESIGNED AND BUILT IN THE UK

PRESSURE TECH LTD
 Unit 24, Graphite Way, Hadfield, Glossop, Derbyshire, UK, SK13 1QH
 T +44 (0)1457 899 307
 E sales@pressure-tech.com
 W www.pressure-tech.com

220819

PAGE:
1 OF 4

HF301 Datasheet

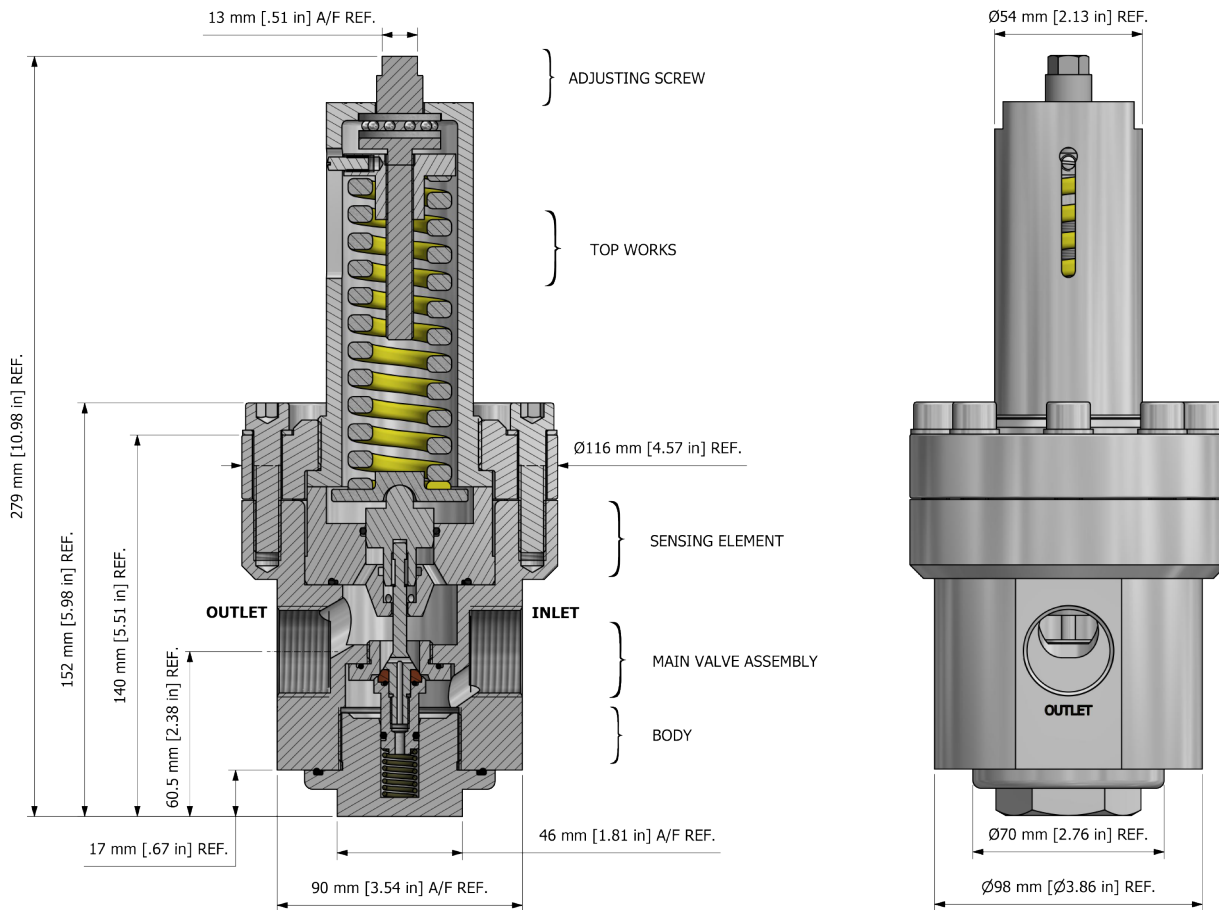
HIGH-FLOW PRESSURE REGULATOR



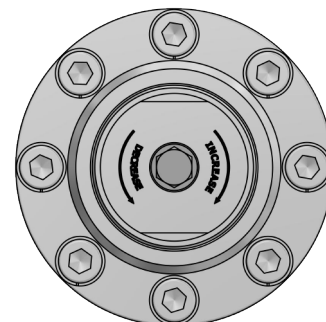
Gas
 Liquid
 Diaphragm
 Piston
 Self-Venting
 Non-Venting
 Max Inlet: 300 bar (4,350 psi)
 Max Outlet: 300 bar (4,350 psi)
 Cv 4.0

DRAWINGS AND INSTALLATION DIMENSIONS

Dimensions shown for 1" BSP option - please contact the office for additional connections options.



TOP VIEW



Note:
All gauge ports are 1/4" NPT as standard.

NOTE: Product availability and specifications contained herein are subject to change without notice. Consult local distributor or factory for potential revisions and/or service related issues. Pressure Tech Ltd support with product selection recommendations only - it is the users responsibility to ensure the product is suitable for their specific application requirements.



DESIGNED AND BUILT IN THE UK

PRESSURE TECH LTD
 Unit 24, Graphite Way, Hadfield, Glossop, Derbyshire, UK, SK13 1QH
 T +44 (0)1457 899 307
 E sales@pressure-tech.com
 W www.pressure-tech.com

220819

PAGE:
2 OF 4

HF301 Datasheet

HIGH-FLOW PRESSURE REGULATOR

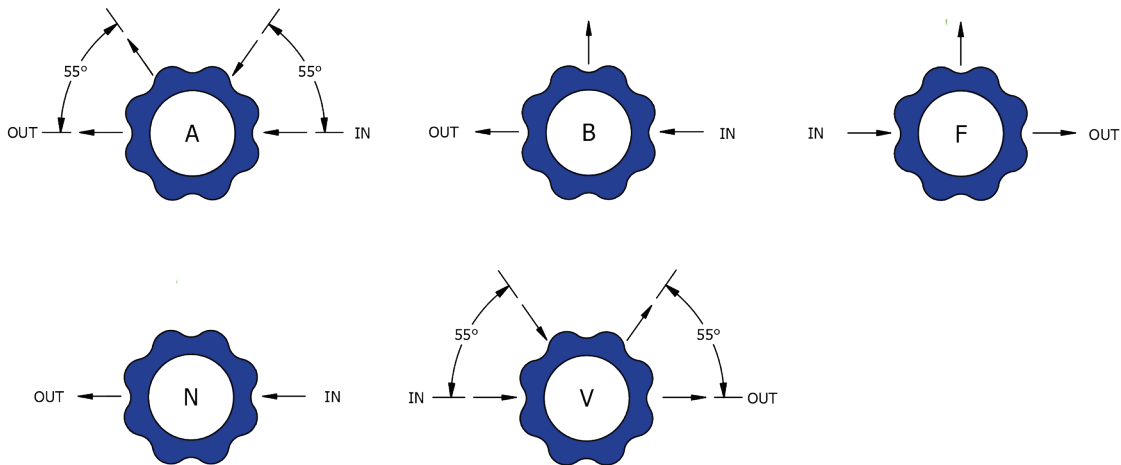


● Gas ● Liquid | ● Diaphragm ● Piston | ● Self-Venting ● Non-Venting | Max Inlet: 300 bar (4,350 psi) | Max Outlet: 300 bar (4,350 psi) | Cv 4.0

FLOW CURVE

Please contact the office for further information.

PORTING CONFIGURATIONS



Notes:

Additional porting configurations are available - please contact the office for further information.

NOTE: Product availability and specifications contained herein are subject to change without notice. Consult local distributor or factory for potential revisions and/or service related issues. Pressure Tech Ltd support with product selection recommendations only - it is the users responsibility to ensure the product is suitable for their specific application requirements.



DESIGNED AND BUILT IN THE UK

PRESSURE TECH LTD

Unit 24, Graphite Way, Hadfield, Glossop, Derbyshire, UK, SK13 1QH
T +44 (0)1457 899 307
E sales@pressure-tech.com
W www.pressure-tech.com

220819

PAGE:
3 OF 4

HF301 Datasheet

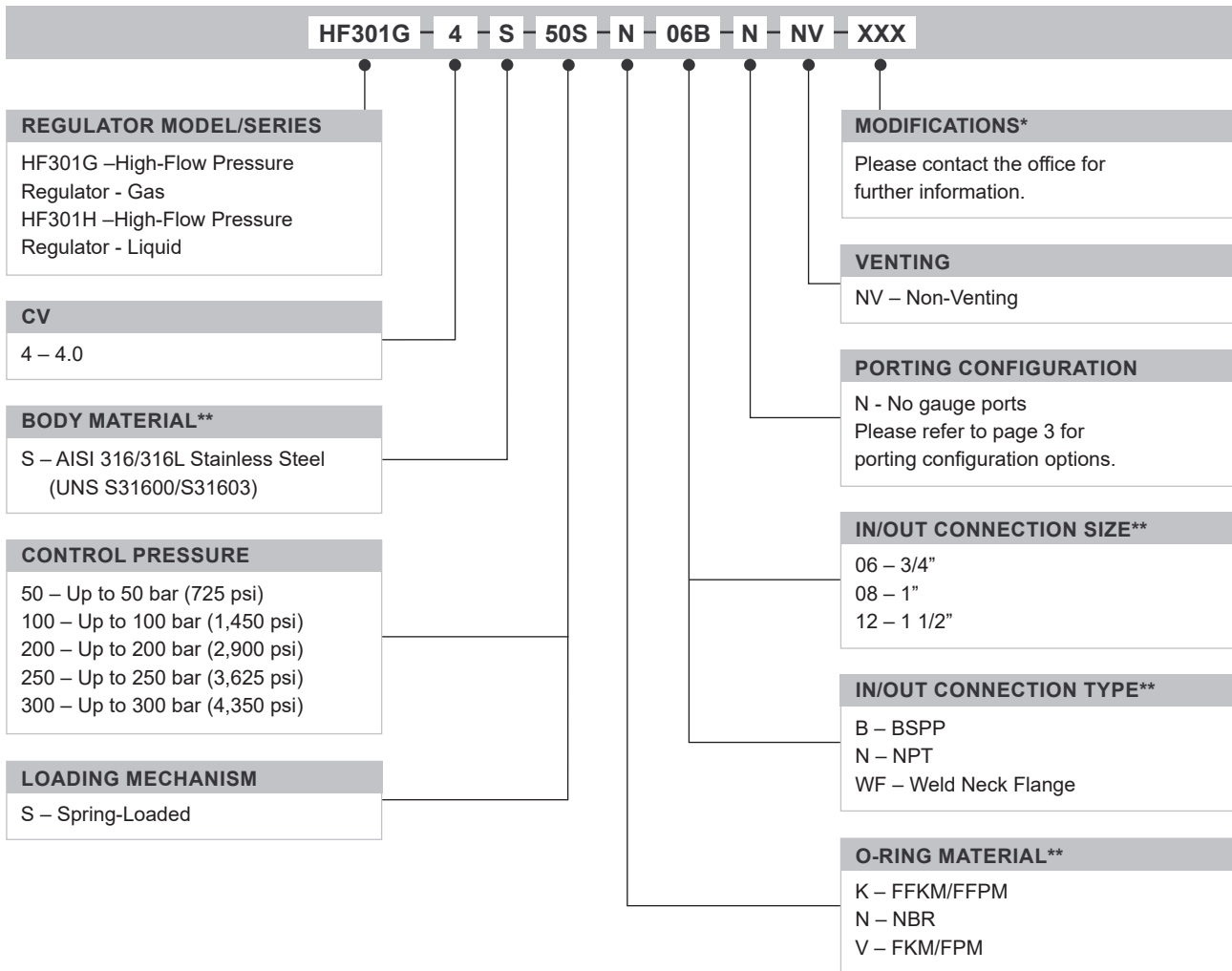
HIGH-FLOW PRESSURE REGULATOR



Gas
 Liquid
 Diaphragm
 Piston
 Self-Venting
 Non-Venting
 Max Inlet: 300 bar (4,350 psi)
 Max Outlet: 300 bar (4,350 psi)
 Cv 4.0

ORDERING INFORMATION

To build a Pressure Tech part number, simply combine the characters identified below in sequence:



OPTIONAL EXTRAS		
	PART NUMBER	DESCRIPTION
Service Kit	SRK-HF301...	Various options available

Note:
Ancillary Equipment and additional Service Kit options also available.

TRADEMARKS: Inconel® is a registered trademark of Inco Alloys International
PEEK™ is a trademark of Victrex PLC
Vespel® is a registered trademark of DuPont

* Where applicable
** Other connections/materials may be available - please contact the office

NOTE: Product availability and specifications contained herein are subject to change without notice. Consult local distributor or factory for potential revisions and/or service related issues. Pressure Tech Ltd support with product selection recommendations only - it is the users responsibility to ensure the product is suitable for their specific application requirements.



DESIGNED AND BUILT IN THE UK

Haldatec

Phone: +61 3 9872 5822 Email: sales@haldatec.com.au Website: www.haldatec.com.au

220819

PAGE:
4 OF 4