

# LF240 Datasheet

## LOW-FLOW PRESSURE REGULATOR



Gas    Liquid   |    Diaphragm    Piston   |    Self-Venting    Non-Venting   |   Max Inlet: 414 bar (6,000 psi)   |   Max Outlet: 10 bar (145 psi)   |   Cv 0.06



### INTRODUCING THE LF240...

The LF240 is a single-stage low-flow pressure regulator for gas applications with a large sensitive elastomeric diaphragm for accurate low pressure control.

With a solid disk seat design, the LF240 enables higher inlet pressures of up to 414 bar (6,000 psi). Lightweight and relatively compact, it is perfect for customers looking for a regulator with a smaller footprint.

### SPECIFICATION

Max. Rated Inlet Pressure	414 bar (6,000 psi)
Outlet Ranges	Up to 10 bar (145 psi)
Design Proof Pressure	150% max. working pressure
Seat Leakage	In accordance with ANSI/FCI 70-3
Weight	1.5kg (3.3lbs)

\* Pressure regulator rating may be limited by connection type, Cv and/or seat material

### STANDARD MATERIALS OF CONSTRUCTION

PART	MATERIALS
Body and Bonnet	AISI 316/316L Stainless Steel (UNS S31600/S31603)
Main Valve Pin	AISI 316/316L Stainless Steel (UNS S31600/S31603)
Soft Seat	PEEK™ or PCTFE
Valve Spring	Inconel® X750
Diaphragm	PTFE-Lined Elastomeric
Handwheel	Nylon
O-Rings	FKM/FPM
Loading Spring	AISI 302 Stainless Steel (UNS S30200)
Filter	40 Microns

### FEATURES AND BENEFITS

#### 1 SOLID DISK SEAT DESIGN

Robust design enabling higher inlet pressures of up to 414 bar (6,000 psi).

#### 2 LIGHTWEIGHT AND COMPACT DESIGN

Perfect for when installation space is restricted.

#### 3 LOW DECAYING PRESSURE EFFECT

Stable outlet pressure under varying inlet conditions.

#### 4 PTFE-LINED DIAPHRAGM

Offers a good chemical resistance.

Product availability and specifications contained herein are subject to change without notice. Consult local distributor or factory for potential revisions and/or service related issues. Pressure Tech Ltd support with product selection recommendations only - it is the users responsibility to ensure the product is suitable for their specific application requirements.



DESIGNED AND BUILT IN THE UK

#### PRESSURE TECH LTD

Unit 24, Graphite Way, Hadfield, Glossop, Derbyshire, UK, SK13 1QH  
 T +44 (0)1457 899 307  
 E sales@pressure-tech.com  
 W www.pressure-tech.com

220819

PAGE:  
1 OF 4

# LF240 Datasheet

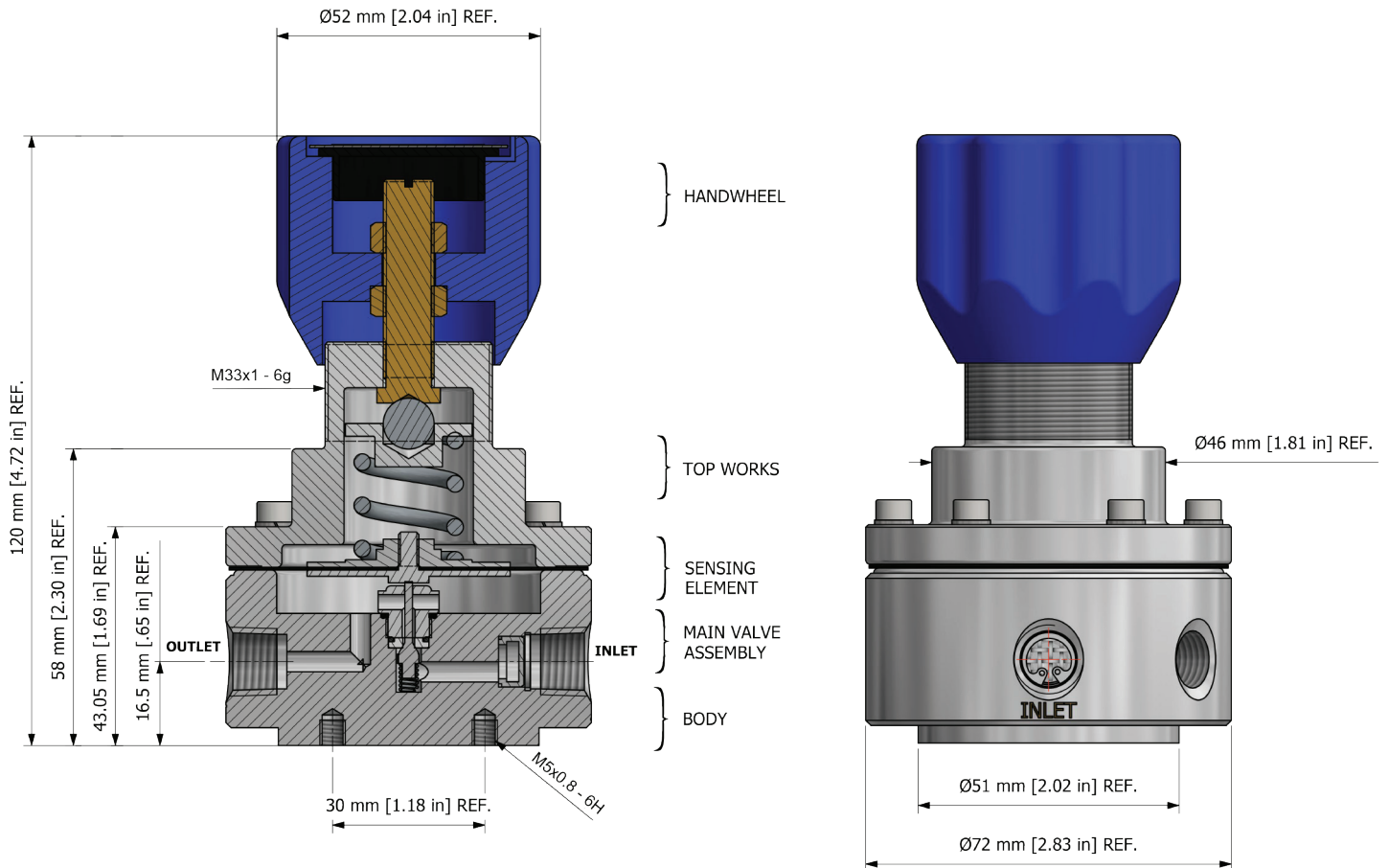
LOW-FLOW PRESSURE REGULATOR



Gas  
  Liquid  
  Diaphragm  
  Piston  
  Self-Venting  
  Non-Venting  
 Max Inlet: 414 bar (6,000 psi)  
 Max Outlet: 10 bar (145 psi)  
 Cv 0.06

## DRAWINGS AND INSTALLATION DIMENSIONS

Dimensions shown for 1/4" NPT option - please contact the office for additional connections options.



**Note:**

All gauge ports are 1/4" NPT as standard.

Product availability and specifications contained herein are subject to change without notice. Consult local distributor or factory for potential revisions and/or service related issues. Pressure Tech Ltd support with product selection recommendations only - it is the users responsibility to ensure the product is suitable for their specific application requirements.



DESIGNED AND BUILT IN THE UK

**PRESSURE TECH LTD**

Unit 24, Graphite Way, Hadfield, Glossop, Derbyshire, UK, SK13 1QH  
 T +44 (0)1457 899 307  
 E sales@pressure-tech.com  
 W www.pressure-tech.com

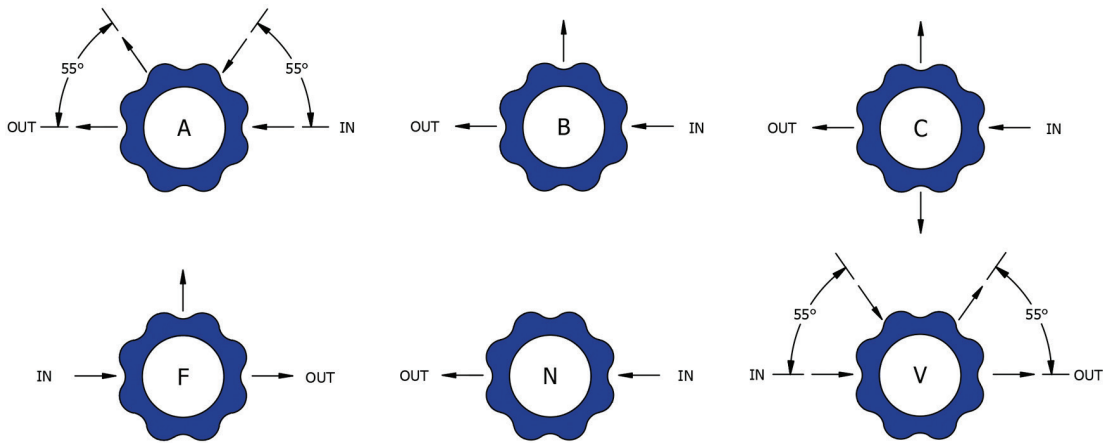
220819

PAGE:  
2 OF 4

## FLOW CURVE

Please contact the office for further information.

## PORTING CONFIGURATIONS



**Note:**

Additional porting configurations are available - please contact the office for further information.

Product availability and specifications contained herein are subject to change without notice. Consult local distributor or factory for potential revisions and/or service related issues. Pressure Tech Ltd support with product selection recommendations only - it is the users responsibility to ensure the product is suitable for their specific application requirements.



DESIGNED AND BUILT IN THE UK

**PRESSURE TECH LTD**  
 Unit 24, Graphite Way, Hadfield, Glossop, Derbyshire, UK, SK13 1QH  
 T +44 (0)1457 899 307  
 E sales@pressure-tech.com  
 W www.pressure-tech.com

# LF240 Datasheet

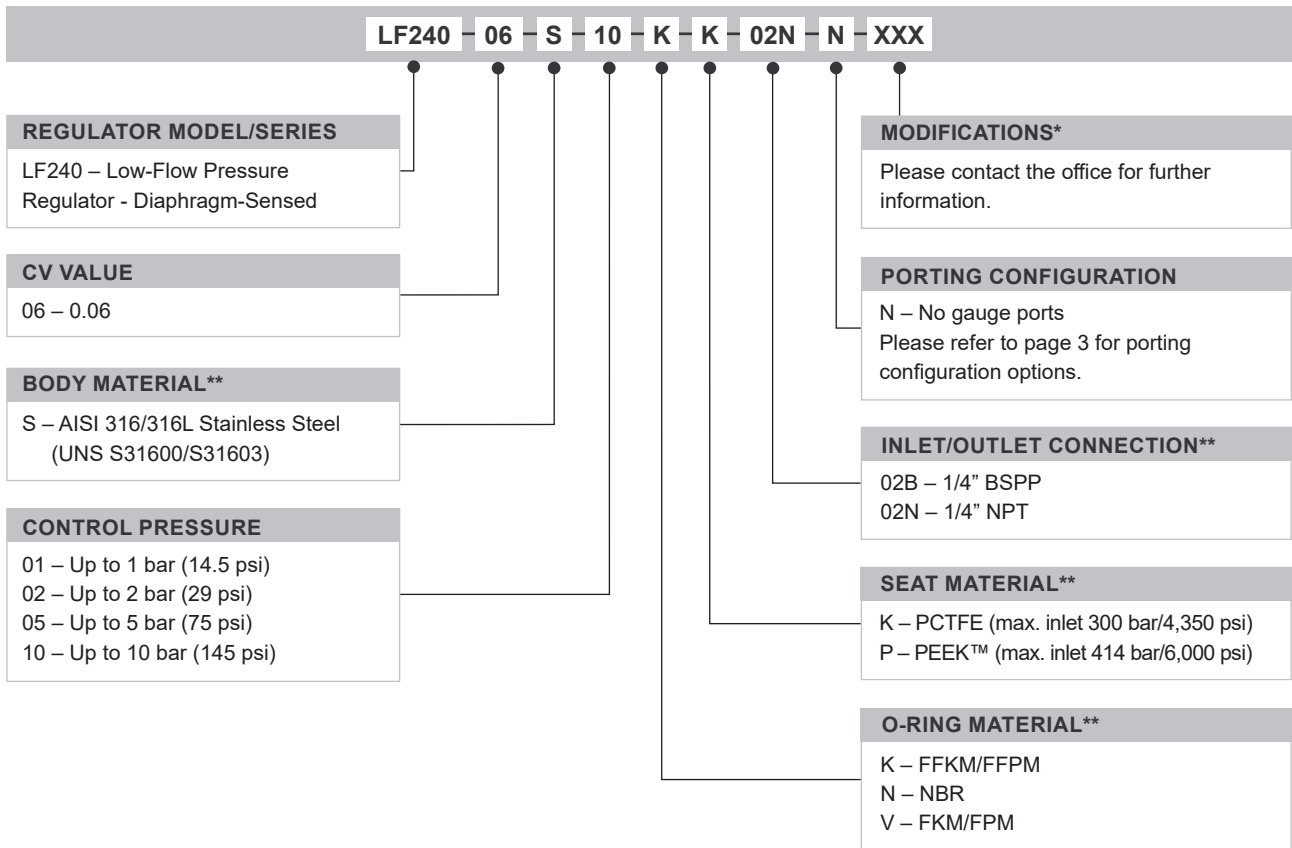
LOW-FLOW PRESSURE REGULATOR



Gas  
  Liquid  
  Diaphragm  
  Piston  
  Self-Venting  
  Non-Venting  
 Max Inlet: 414 bar (6,000 psi)  
 Max Outlet: 10 bar (145 psi)  
 Cv 0.06

## ORDERING INFORMATION

To build a Pressure Tech part number, simply combine the characters identified below in sequence:



OPTIONAL EXTRAS		
	PART NUMBER	DESCRIPTION
Service Kit	SRK-LF240...	Various options available
Panel Mount Ring	PT-C-024	-

*Note:*  
Ancillary equipment also available

**TRADEMARKS:** Inconel® is a registered trademark of Inco Alloys International  
PEEK™ is a trademark of Victrex PLC

\* Where applicable  
\*\* Other materials/connections may be available - please contact the office

Product availability and specifications contained herein are subject to change without notice. Consult local distributor or factory for potential revisions and/or service related issues.  
Pressure Tech Ltd support with product selection recommendations only - it is the users responsibility to ensure the product is suitable for their specific application requirements.



DESIGNED AND BUILT IN THE UK

# Haldatec

Phone: +61 3 9872 5822 Email: [sales@haldatec.com.au](mailto:sales@haldatec.com.au) Website: [www.haldatec.com.au](http://www.haldatec.com.au)

220819

PAGE:  
4 OF 4