

# LF692 Datasheet

## LOW-FLOW PRESSURE REGULATOR



Gas  
  Liquid  
  Diaphragm  
  Piston  
  Self-Vent  
  Non-Vent  
 Max Inlet: 1,034 bar (15,000 psi)  
 Max Outlet: 1,034 bar (15,000 psi)  
 Cv 0.1



### INTRODUCING THE LF692...

The LF692 is a piston-sensed low-flow pressure regulator with a Tecasint® seat for use on high pressure gases. It uses a range of precision-machined sensing elements to provide pressure control up to 1,034 bar (15,000 psi).

The LF692 features an **unbalanced main valve** as standard for up to 1,034 bar (15,000 psi) inlet pressure with a flow coefficient of 0.1. Alternatively, a **balanced** option can be supplied with up to 690 bar (10,000 psi) inlet pressure and a flow coefficient of 0.3.

Its segregated captured vent prevents deterioration to the loading mechanism and allows media to be piped off to the return tank.

### STANDARD MATERIALS OF CONSTRUCTION

PART	MATERIALS
Body and Bonnet	AISI 316 / 316L Stainless Steel (UNS S31600 / S31603)
Main Valve Pin	AISI 316 / 316L Stainless Steel (UNS S31600 / S31603)
Seat	Tecasint®
Valve Spring	AISI 302 Stainless Steel (UNS S30200)
Piston	AISI 316 / 316L Stainless Steel (UNS S31600 / S31603)
Handwheel	Nylon
'O'-Ring Seals	NBR
Loading Spring	Silicon Chrome Wire

### SPECIFICATION

LF692		BALANCED	UNBALANCED	Outlet Ranges	Up to 1,034 bar (15,000 psi)
Tecasint®	Max. Inlet:	690 bar (10,000 psi)	1,034 bar (15,000 psi)	Design Proof Pressure	150% max. working pressure
	Cv	0.3	0.05 / 0.1	Seat Leakage	In accordance with ANSI/FCI 70-3
				Weight	4.5kg (9.9lbs)

### FEATURES AND BENEFITS

<p><b>1</b> PISTON SENSING ELEMENT</p> <p>Perfect for use in challenging conditions.</p>	<p><b>2</b> PRECISION MACHINED SENSING ELEMENT</p> <p>For accurate pressure control.</p>	<p><b>3</b> SEGREGATED CAPTURED VENT</p> <p>Prevents deterioration to loading mechanism and allows media to be piped off to return tank. Ideal for toxic or hazardous gases.</p>	<p><b>4</b> EASY ACCESS TO SEAT CARTRIDGE</p> <p>Simplified servicing through base of regulator.</p>
--	--	--	--

Product availability and specifications contained herein are subject to change without notice. Consult local distributor or factory for potential revisions and/or service related issues. Pressure Tech Ltd support with product selection recommendations only - it is the users responsibility to ensure the product is suitable for their specific application requirements.



DESIGNED AND BUILT IN THE UK

**PRESSURE TECH LTD**  
 Unit 24, Graphite Way, Hadfield, Glossop, Derbyshire, UK, SK13 1QH  
 T +44 (0)1457 899 307  
 E info@pressure-tech.com  
 W www.pressure-tech.com

160119

PAGE: 1 OF 4

# LF692 Datasheet

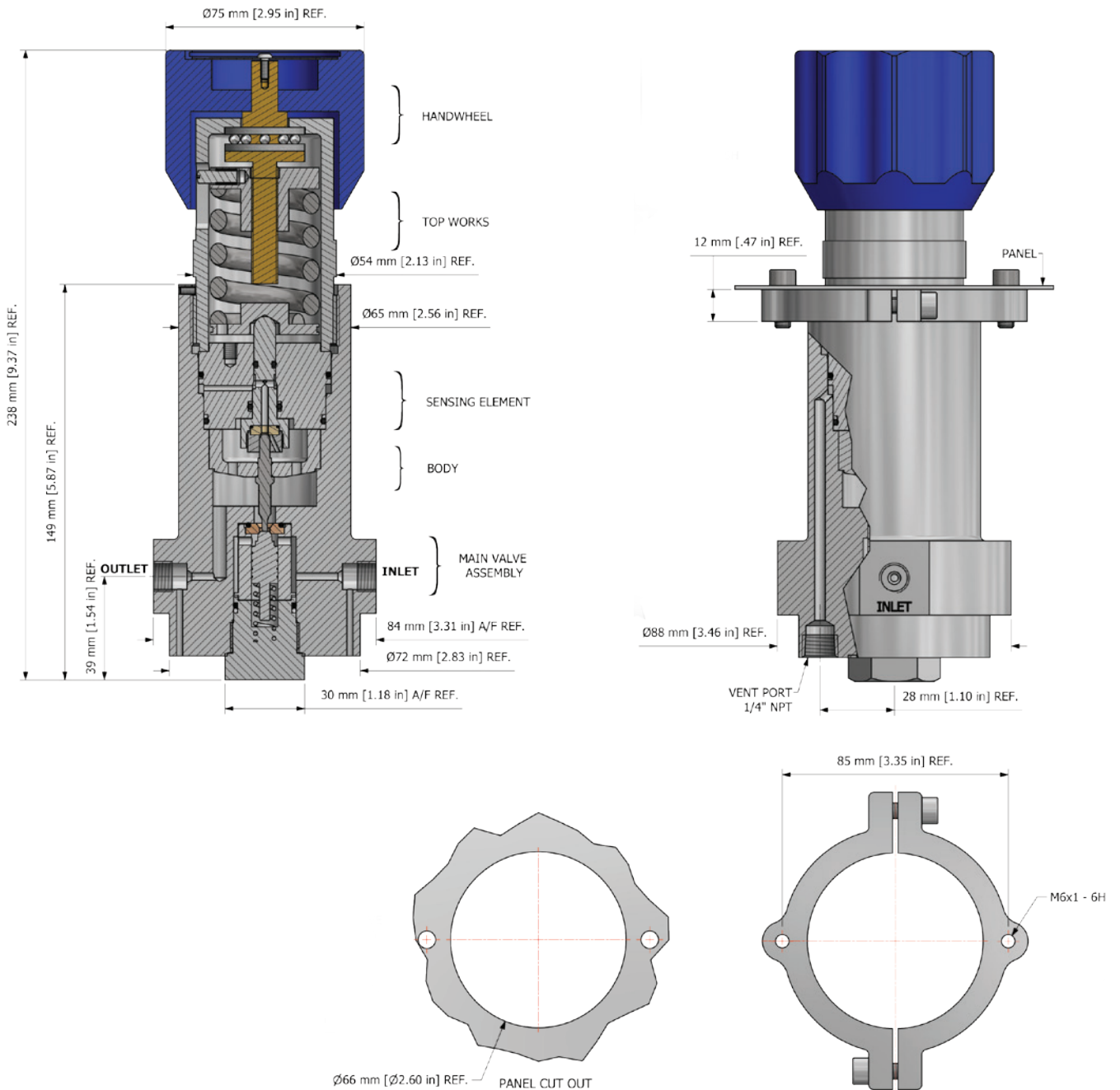
LOW-FLOW PRESSURE REGULATOR



Gas    Liquid   |    Diaphragm    Piston   |    Self-Vent    Non-Vent   |   Max Inlet: 1,034 bar (15,000 psi)   |   Max Outlet: 1,034 bar (15,000 psi)   |   Cv 0.1

## DRAWINGS AND INSTALLATION DIMENSIONS

Dimensions shown for 1/4" MP option - please contact the office for additional connection options.



**Note:**  
All gauge ports are 1/4" NPT as standard.

PT-C-061-003-RING (STAINLESS STEEL)  
 PT-C-061-003-001-RING (ALUMINIUM)  
 PANEL MOUNT RING

Product availability and specifications contained herein are subject to change without notice. Consult local distributor or factory for potential revisions and/or service related issues. Pressure Tech Ltd support with product selection recommendations only - it is the users responsibility to ensure the product is suitable for their specific application requirements.



DESIGNED AND BUILT IN THE UK

**PRESSURE TECH LTD**  
 Unit 24, Graphite Way, Hadfield, Glossop, Derbyshire, UK, SK13 1QH  
 T +44 (0)1457 899 307  
 E info@pressure-tech.com  
 W www.pressure-tech.com

160119

PAGE:  
2 OF 4

# LF692 Datasheet

LOW-FLOW PRESSURE REGULATOR

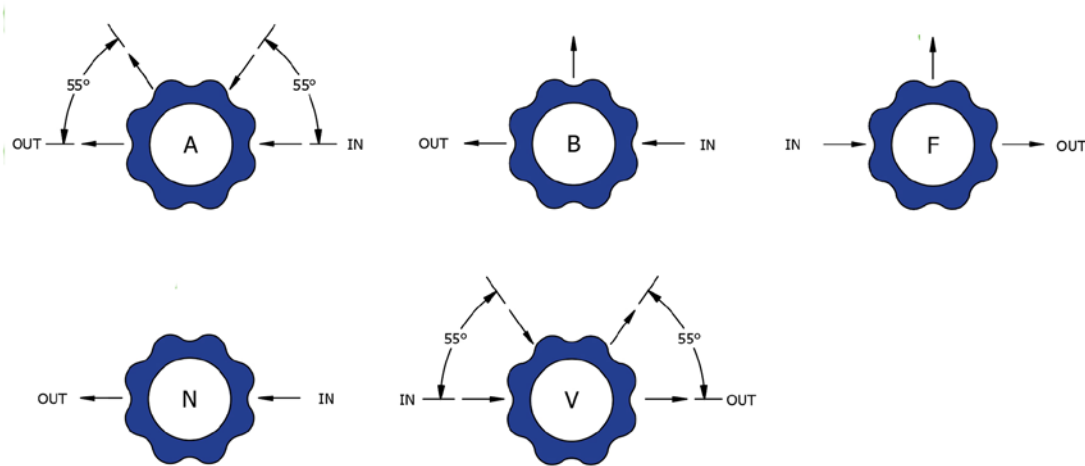


● Gas ● Liquid | ● Diaphragm ● Piston | ● Self-Vent ● Non-Vent | Max Inlet: 1,034 bar (15,000 psi) | Max Outlet: 1,034 bar (15,000 psi) | Cv 0.1

## FLOW CURVE

Please contact the office for further information.

## PORTING CONFIGURATIONS



**Note:**

Additional porting configurations are available - please contact the office for further information.

Product availability and specifications contained herein are subject to change without notice. Consult local distributor or factory for potential revisions and/or service related issues. Pressure Tech Ltd support with product selection recommendations only - it is the users responsibility to ensure the product is suitable for their specific application requirements.



DESIGNED AND BUILT IN THE UK

### PRESSURE TECH LTD

Unit 24, Graphite Way, Hadfield, Glossop, Derbyshire, UK, SK13 1QH  
T +44 (0)1457 899 307  
E [info@pressure-tech.com](mailto:info@pressure-tech.com)  
W [www.pressure-tech.com](http://www.pressure-tech.com)

160119

PAGE:  
3 OF 4

# LF692 Datasheet

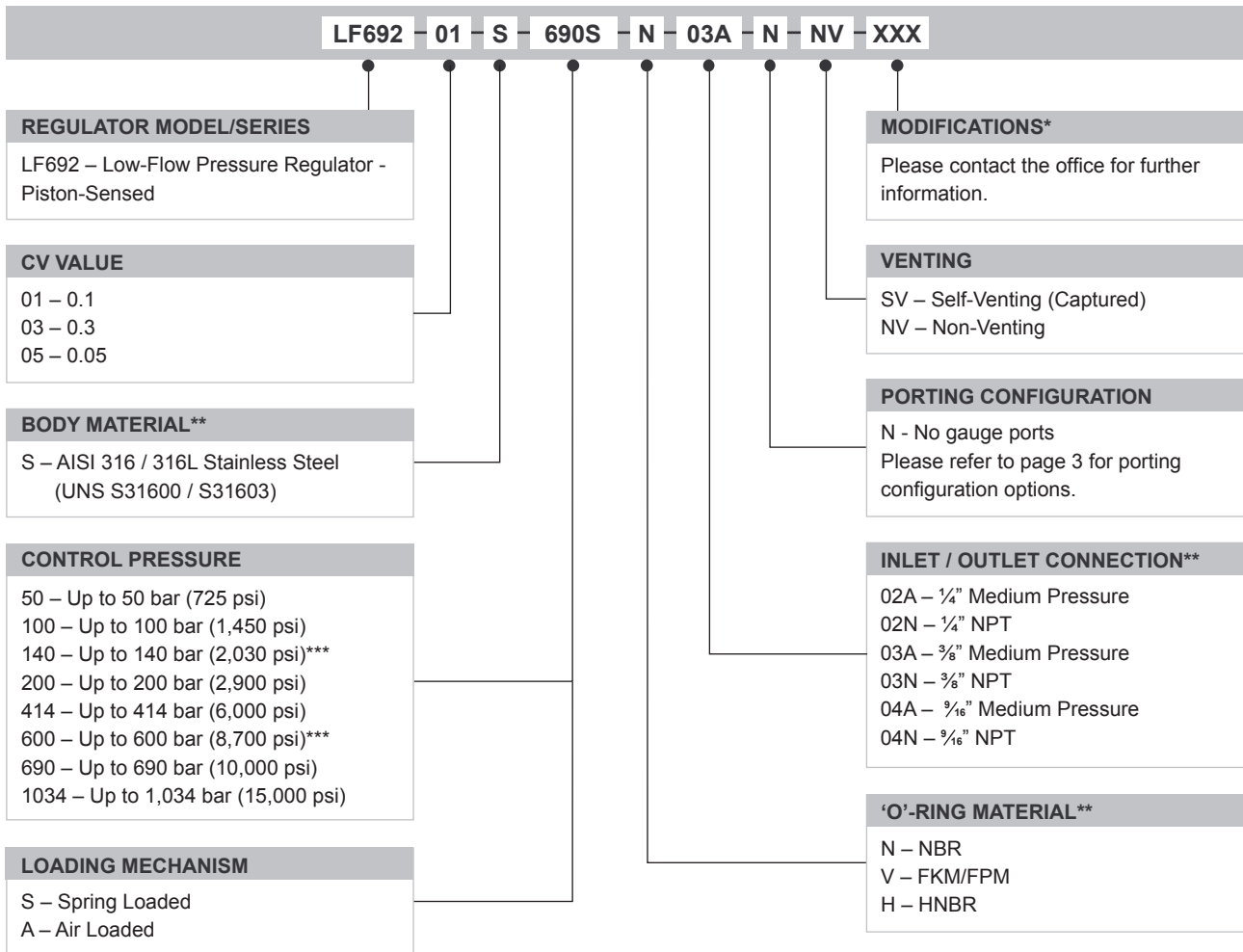
## LOW-FLOW PRESSURE REGULATOR



Gas  
  Liquid  
  Diaphragm  
  Piston  
  Self-Vent  
  Non-Vent  
 Max Inlet: 1,034 bar (15,000 psi)  
 Max Outlet: 1,034 bar (15,000 psi)  
 Cv 0.1

### ORDERING INFORMATION

To build a Pressure Tech part number, simply combine the characters identified below in sequence:



OPTIONAL EXTRAS		
	PART NUMBER	DESCRIPTION
Service Kit	SRK-LF692...	Various options available
Panel Mounting Ring	PT-C-061-003-RING	Stainless Steel panel mount ring
Panel Mounting Ring	PT-C-061-003-001-RING	Aluminium panel mount ring

*Note:* Ancillary equipment also available.

**TRADEMARK:** Tecasint® is a registered trademark of Ensinger GmbH

\* Where applicable

\*\* Other sizes / materials may be available - please contact the office

\*\*\* Air loaded only

Product availability and specifications contained herein are subject to change without notice. Consult local distributor or factory for potential revisions and/or service related issues. Pressure Tech Ltd support with product selection recommendations only - it is the users responsibility to ensure the product is suitable for their specific application requirements.



DESIGNED AND BUILT IN THE UK

# Haldatec

Phone: +61 3 9872 5822 Email: [sales@haldatec.com.au](mailto:sales@haldatec.com.au) Website: [www.haldatec.com.au](http://www.haldatec.com.au)

160119

PAGE:  
4 OF 4