

# MF301 Datasheet

## MEDIUM-FLOW PRESSURE REGULATOR



Gas  
  Liquid  
  Diaphragm  
  Piston  
  Self-Venting  
  Non-Venting  
 Max Inlet: 300 bar (4,350 psi)  
 Max Outlet: 300 bar (4,350 psi)  
 Cv 2.0



### INTRODUCING THE MF301...

The MF301 is a piston-sensed non-venting or self-venting regulator for gas or liquid applications. A PEEK™ seat is required for liquid applications.

The MF301 offers a **balanced main valve** as standard for maximum inlet and control pressures of up to 300 bar (4,350 psi). For higher pressures, please refer to our MF400/401.

Alternatively, an unbalanced option can be offered for applications with maximum inlet and control pressures of up to 50 bar (725 psi).

### SPECIFICATION

Outlet Ranges	Up to 300 bar (4,350 psi)
Design Proof Pressure	150% max. working pressure
Seat Leakage	In accordance with ANSI/FCI 70-3
Weight	3.25kg (7.2lbs)

\* Pressure regulator rating may be limited by connection type, Cv and/or seat material

### STANDARD MATERIALS OF CONSTRUCTION

PART	MATERIALS
Body and Bonnet	AISI 316/316L Stainless Steel (UNS S31600/S31603)
Main Valve Pin	AISI 316/316L Stainless Steel (UNS S31600/S31603)
Soft Seat	PCTFE or PEEK™
Valve Spring	AISI 316 S42 Stainless Steel
Piston	AISI 316/316L Stainless Steel (UNS S31600/S31603)
Handwheel	Nylon
O-Rings	FKM/FPM
Loading Spring	Silicon Chrome Wire

### FEATURES AND BENEFITS

#### 1 PISTON SENSING ELEMENT

Perfect for use in challenging conditions.

#### 2 BALANCED MAIN VALVE DESIGN

Improved control across the pressure range.

#### 3 SELF-VENTING OR NON-VENTING

Versatile use for a range of applications.

#### 4 LOWER ENTRY PLUG

For simplified seat servicing.

Product availability and specifications contained herein are subject to change without notice. Consult local distributor or factory for potential revisions and/or service related issues. Pressure Tech Ltd support with product selection recommendations only - it is the users responsibility to ensure the product is suitable for their specific application requirements.



DESIGNED AND BUILT IN THE UK

#### PRESSURE TECH LTD

Unit 24, Graphite Way, Hadfield, Glossop, Derbyshire, UK, SK13 1QH  
 T +44 (0)1457 899 307  
 E sales@pressure-tech.com  
 W www.pressure-tech.com

271020

PAGE:  
1 OF 4

# MF301 Datasheet

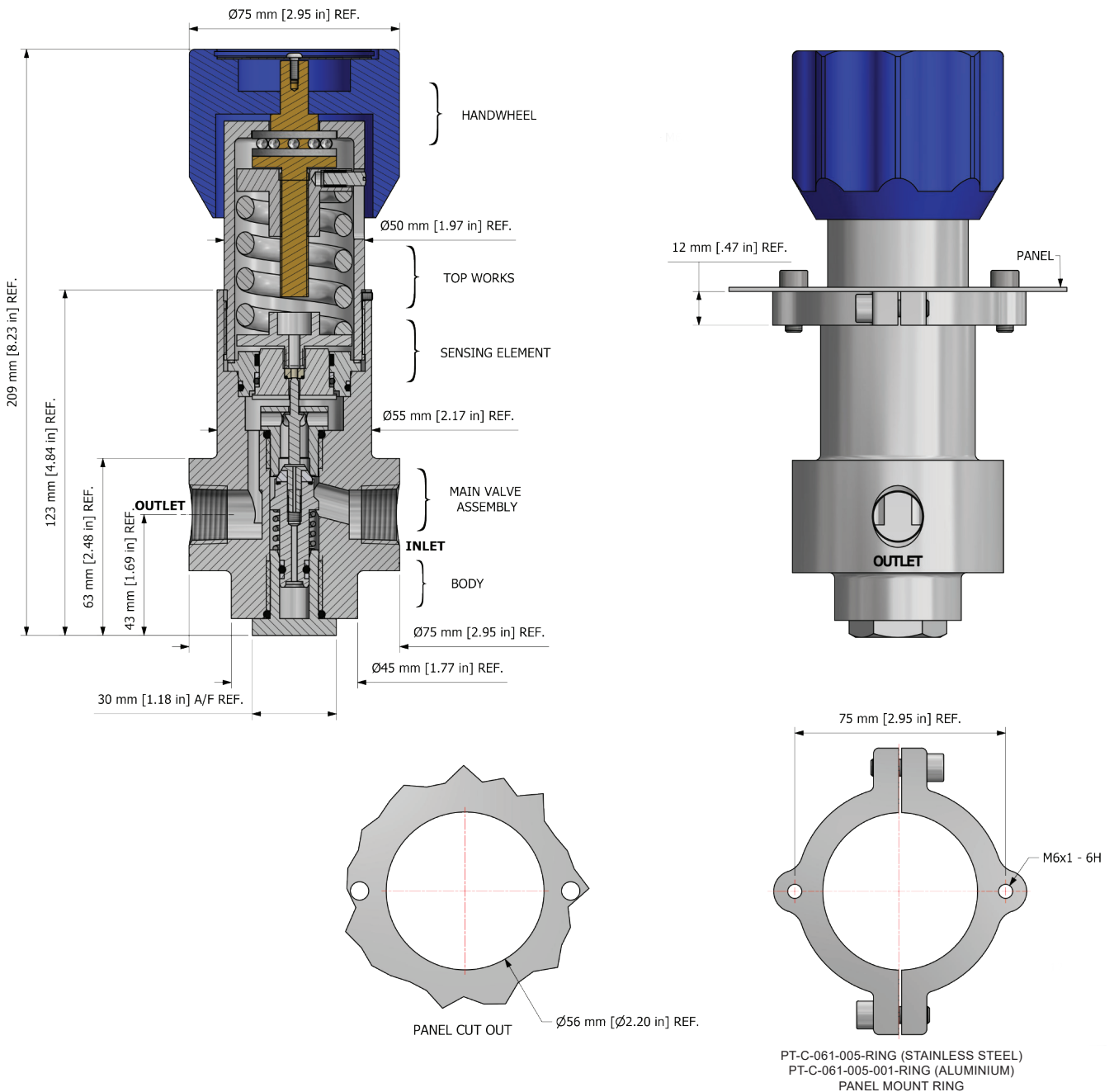
MEDIUM-FLOW PRESSURE REGULATOR



Gas  
  Liquid  
  Diaphragm  
  Piston  
  Self-Venting  
  Non-Venting  
 Max Inlet: 300 bar (4,350 psi)  
 Max Outlet: 300 bar (4,350 psi)  
 Cv 2.0

## DRAWINGS AND INSTALLATION DIMENSIONS

Dimensions shown for 1/2" NPT option - please contact the office for additional connections options.



**Note:**  
All gauge ports are 1/4" NPT as standard.

Product availability and specifications contained herein are subject to change without notice. Consult local distributor or factory for potential revisions and/or service related issues. Pressure Tech Ltd support with product selection recommendations only - it is the users responsibility to ensure the product is suitable for their specific application requirements.



DESIGNED AND BUILT IN THE UK

**PRESSURE TECH LTD**  
 Unit 24, Graphite Way, Hadfield, Glossop, Derbyshire, UK, SK13 1QH  
 T +44 (0)1457 899 307  
 E sales@pressure-tech.com  
 W www.pressure-tech.com

271020

PAGE:  
2 OF 4

# MF301 Datasheet

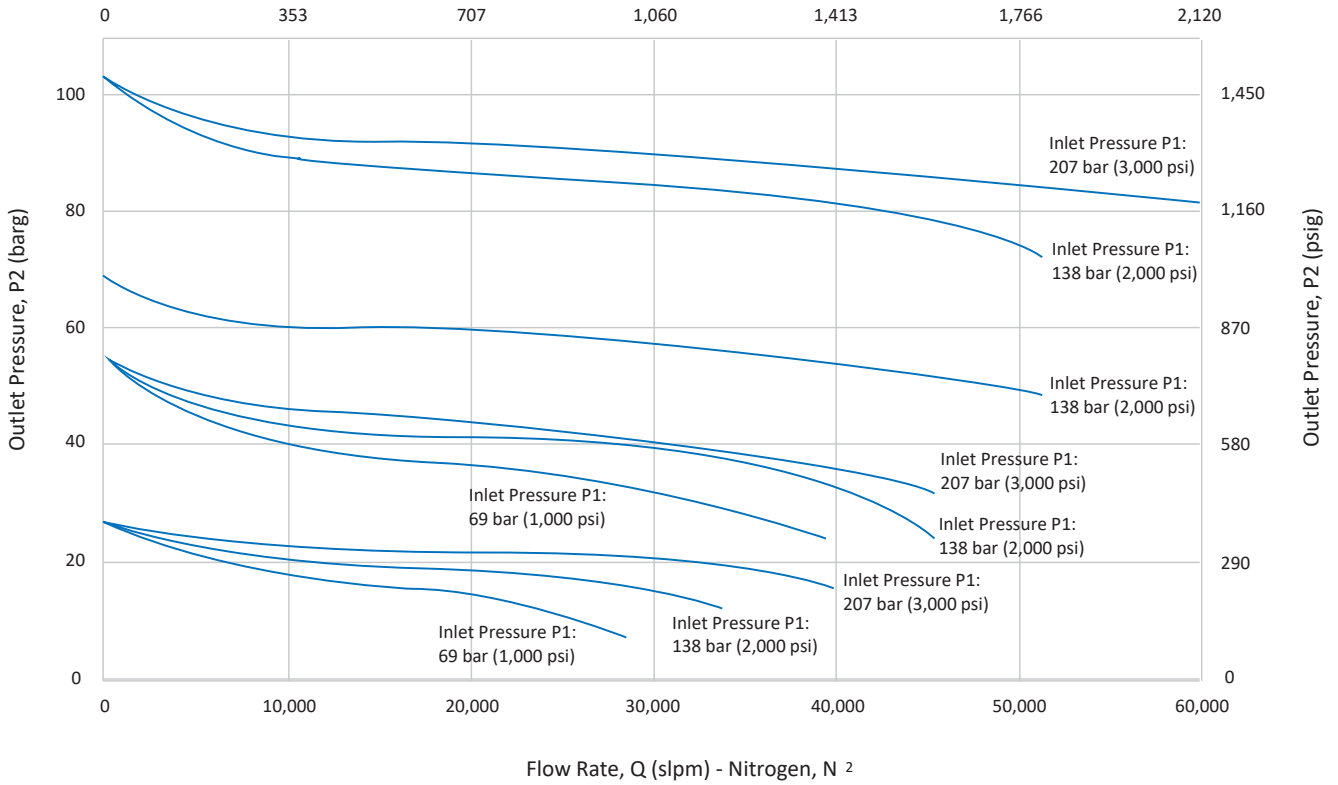
MEDIUM-FLOW PRESSURE REGULATOR



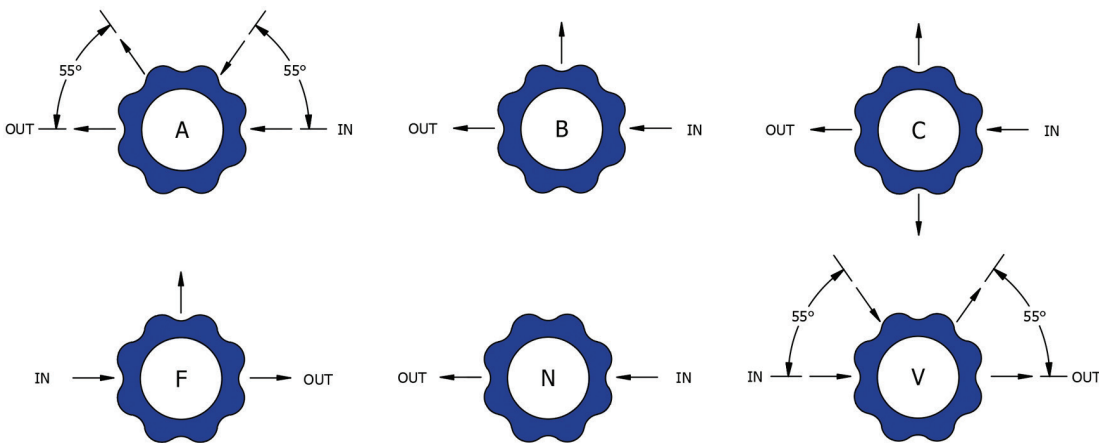
Gas 
  Liquid 
  Diaphragm 
  Piston 
  Self-Venting 
  Non-Venting 
 | Max Inlet: 300 bar (4,350 psi) 
 | Max Outlet: 300 bar (4,350 psi) 
 | Cv 2.0

## FLOW CURVE

Flow Rate, Q (sfcM) - Nitrogen, N<sub>2</sub>



## PORTING CONFIGURATIONS



**Note:**  
Additional porting configurations are available - please contact the office for further information.

Product availability and specifications contained herein are subject to change without notice. Consult local distributor or factory for potential revisions and/or service related issues. Pressure Tech Ltd support with product selection recommendations only - it is the users responsibility to ensure the product is suitable for their specific application requirements.



DESIGNED AND BUILT IN THE UK

**PRESSURE TECH LTD**  
 Unit 24, Graphite Way, Hadfield, Glossop, Derbyshire, UK, SK13 1QH  
 T +44 (0)1457 899 307  
 E sales@pressure-tech.com  
 W www.pressure-tech.com

271020

PAGE: 3 OF 4

# MF301 Datasheet

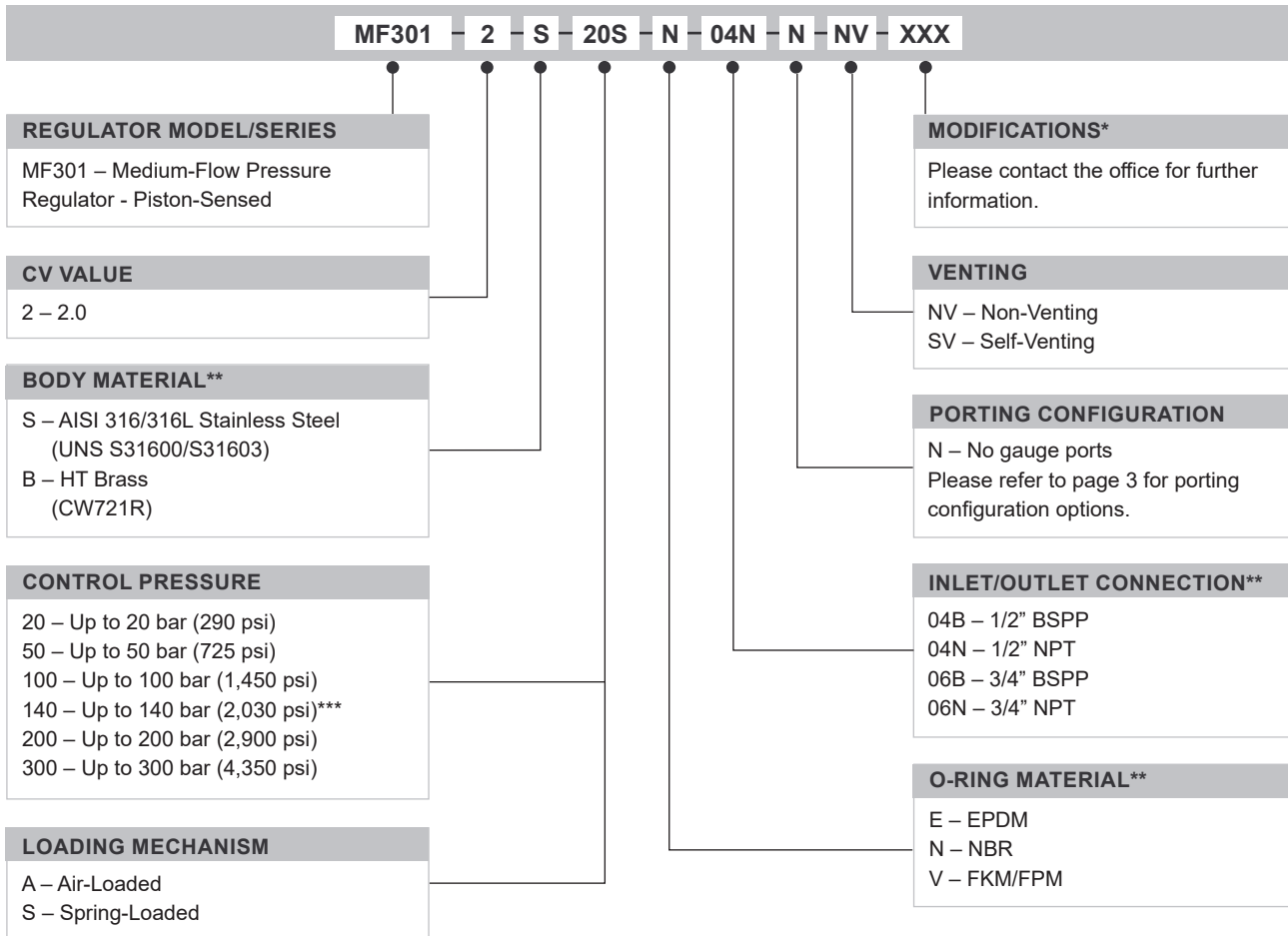
MEDIUM-FLOW PRESSURE REGULATOR



Gas  
  Liquid  
  Diaphragm  
  Piston  
  Self-Venting  
  Non-Venting  
 Max Inlet: 300 bar (4,350 psi)  
 Max Outlet: 300 bar (4,350 psi)  
 Cv 2.0

## ORDERING INFORMATION

To build a Pressure Tech part number, simply combine the characters identified below in sequence:



OPTIONAL EXTRAS		
	PART NUMBER	DESCRIPTION
Service Kit	SRK-MF301-2-B...	Various 'Balanced' options available
Service Kit	SRK-MF301-2-U...	Various 'Unbalanced' options available
Panel Mount Ring	PT-C-061-005-RING	Stainless Steel panel mount ring
Panel Mount Ring	PT-C-061-005-001-RING	Aluminium panel mount ring

*Note:*  
Ancillary equipment also available

**TRADEMARKS:** Inconel® is a registered trademark of Inco Alloys International  
PEEK™ is a trademark of Victrex PLC

\* Where applicable  
\*\* Other connections/materials may be available - please contact the office  
\*\*\* Air-loaded only

Product availability and specifications contained herein are subject to change without notice. Consult local distributor or factory for potential revisions and/or service related issues.  
Pressure Tech Ltd support with product selection recommendations only - it is the users responsibility to ensure the product is suitable for their specific application requirements.



DESIGNED AND BUILT IN THE UK

## Haldatec

Phone: +61 3 9872 5822 Email: [sales@haldatec.com.au](mailto:sales@haldatec.com.au) Website: [www.haldatec.com.au](http://www.haldatec.com.au)

271020

PAGE:  
4 OF 4