

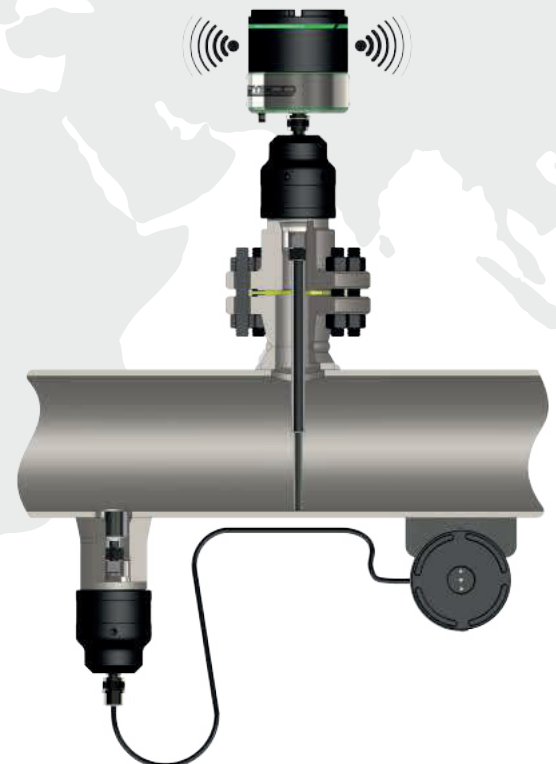




## RYSCO ER DATA LOGGER

The **Rysco Data Logger** is designed to provide accurate electrical resistance measurements of corrosion probes. In our design, we have eliminated the use of expensive yet cumbersome handheld devices by implementing our revolutionary smart battery. This battery is easily programmable and interfaces with the Rysco logger to continually store resistance measurements. After a given period of time, the battery can be safely removed without compromising the hazardous area rating. Simply plug the battery into our smart hub, hit download, and view data. All computer software is easy to install and does not require administration access. Rysco's proprietary software calculates all resistance measurements into physical metal loss values. Our dedicated team members then work closely with all our clients to correlate these metal loss values to corrosion related values.

## SPECIFICATIONS

- ▶ 1 year battery lifespan with 50,000 data point memory capacity
- ▶ Hazardous Area Certification: Ex m[ia] IIB T3 Gb; Ta = -40°C (-40°F) to 85°C (185°F)
- ▶ Battery has visible LED status indicators for OK, WARNING and ERROR
- ▶ Battery can be removed or replaced for data download without affecting the hazardous area rating
- ▶ Battery configuration and download software is plug and play for Windows OS7 and newer
- ▶ Compatible with all manufacturers ER probes
- ▶ Supplied as standard with custom mounting bracket



Model	ER Data Logger		
RYS	Data Logger with Battery		
DLRB	Logger Type		
	ER	Electrical Resistance - Provides precise resistance measurements of electrical resistance corrosion/erosion probes at set intervals. These resistance measurements are stored within the logger body and later downloaded and calculated into metal loss through proprietary software.	 
	<b>Cable Length</b>		
	10	10 ft. Cable length	
	20	20 ft. Cable length	
	CUS	Custom - Refer to order instructions below	
	<b>Pin Connection Type</b>		
	STD	Standard 6 pin connection	
	CUS	Custom - Refer to order instructions below	
<b>ER Data Logger Order Code</b>			

Copyright © 2022 Rysco Corrosion Services Inc. For custom ordering information contact: [info@ryscocorrosion.com](mailto:info@ryscocorrosion.com) REV.4  
 The contents of this publication are presented for information purposes only, and while effort has been made to ensure their accuracy, they are not to be construed as warranties or guarantees, express or implied, regarding the products or services described wherein or their use or applicability. We reserve the right to modify or improve the designs or specifications or our products at any time without notice.



**Haldatec**

Phone: +61 3 9872 5822 Email: [sales@haldatec.com.au](mailto:sales@haldatec.com.au) Website: [www.haldatec.com.au](http://www.haldatec.com.au)