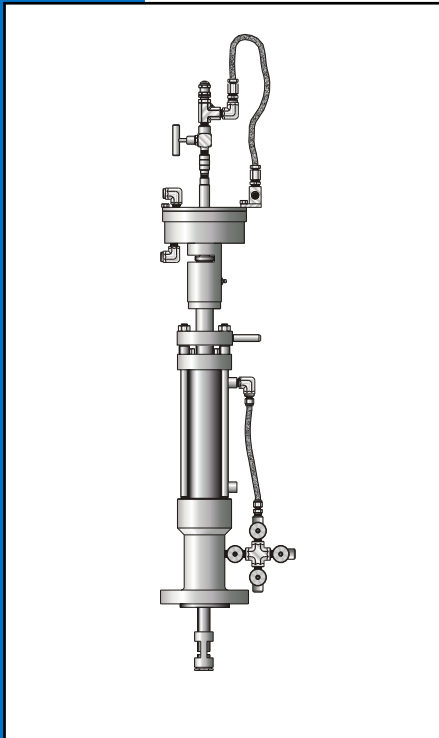


WELKER[®]
Engineering Company

ISO-9001
CERTIFIED
SINCE 1992



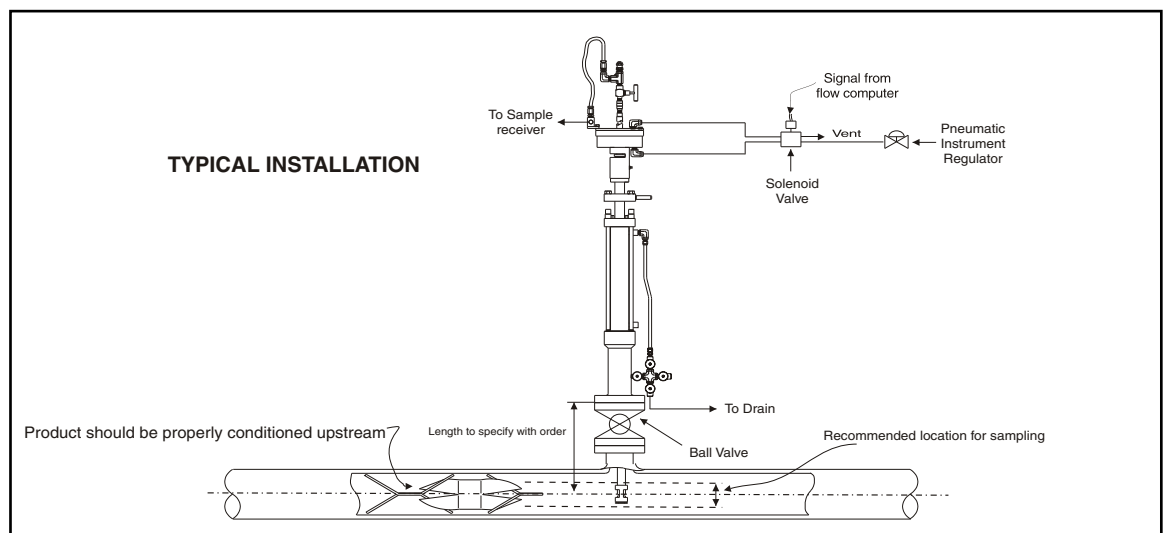
Welker LSM-6FAI Series Crude Oil Probe Sampler

Style LSM-6FAI

The Welker LSM-6FAI automatic insertion crude oil sampler allows for a true isokinetic sample to be extracted from a properly conditioned pipeline, yielding the most accurate, reliable, and repeatable results in the industry. This style of sampler has the added benefit of being able to be inserted and retracted from the pipeline without having to depressurize the line.

Features

- Allows for automatic insertion and retraction from a fully pressurized pipeline.
- No external sources needed for insertion or retraction. Uses pipeline product and pressure.
- Equipped with Vanishing Chamber[®] or optional "B" head piston collection head.
- True isokinetic design at actual point of sample grab.
- Samples a fixed volume at full line pressure.
- Fully meets ISO standard 3171 and API Chapter 8, Section 2.
- Works with constant pressure or atmospheric cylinders.



Welker... Global Solutions for Your Needs

Welker LSM-6FAI Series Crude Oil Probe Sampler

Specifications

Application

The LSM-6FAI can be used with all products that are compatible with the materials of construction and seal material.

Pressure Rating

Atmospheric pressure up to 2160 psi (149 Bar) or as determined by flange rating. Higher pressure ratings available.

Temperature Rating

From -20 to +250°F (-29 to +121°C)

Viscosity

All fluid ranges.

Sample Size

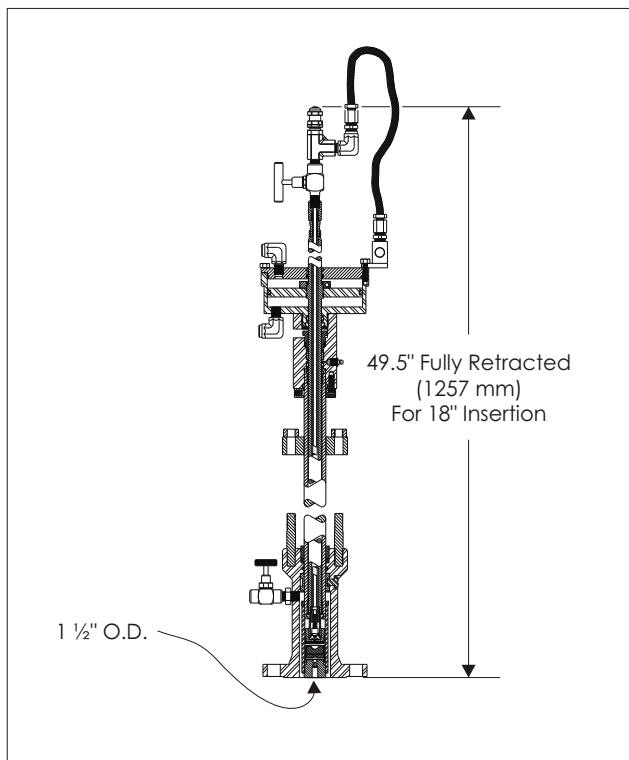
Vanishing Chamber® standard sizes are as follows: 0.2cc, 0.5cc, 1.0cc and 1.5cc.

“B” Head piston style standard sizes are as follows: 0.5cc, 1.0cc, 2.0cc, 3.0cc, and 4.0cc.

“D” Head piston style optional sizes are as follows: 3-7cc and 5-12cc.

Sampler Actuation

Double or single acting piston motor rated at 120 psi (8 Bar). Both actuating and release time should be 2 seconds minimum. Sampler actuation can be either time or flow proportional.



Materials

Lubricator body and motor are constructed of carbon steel, balance 316 stainless steel with Viton®, PTFE and Fluorotrel® seals.

Connections

All instrument connections are 1/4" FNPT. Pipeline - 2" 600 ANSI RF standard.

Required Utilities

Instrument air 60 to 120 psi (4 to 8 Bar) dependent on line pressure. Air consumption

0.1 scf/grab @ 60 psi (2.9ml/grab @ 4.2 Bar) as single acting; 0.25 scf/grab @ 60 psi (7.1ml/grab @ 4.2 Bar) as double acting.

Weight (18" travel)

75 lbs.

34 Kg.

Non-standard designs available upon request

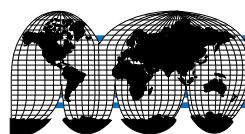
Options Available

- All 316 stainless steel construction
- Higher working pressures
- Other flange sizes and connections
- Other materials of construction
- Sand relief
- Other collection head sizes
- Certificates (material 3.1b, hydrostatic, functional, conformity, etc.)

Other Welker Products

- In-Line Probe Samplers
- Constant Pressure Cylinders
- Cylinder Carrying Cases
- Sampling Take-Off Probes
- Probe Regulators
- Crude Oil Receivers
- Complete System Packages

Specifications subject to change without notice.
Drawings/Photos may be shown with optional equipment.



WELKER®
Engineering Company

Haldatec

Phone: +61-3-9872-5822 Fax: +61-3-9872-5129
Email: sales@haldatec.com.au Web Site: www.haldatec.com.au