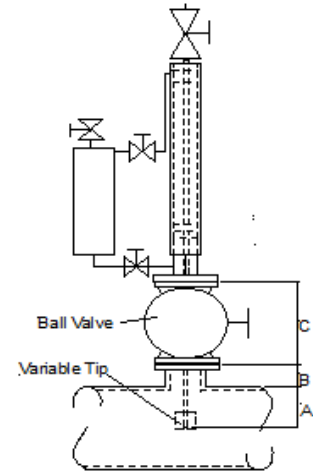


## PPAI – PRESSURE ASSISTED INSERTION PROBE

EnPro PPAI Pipeline Insertion Probes have been designed to be fully inserted and retracted from the pipeline using pressure assistance. This enables easy and safe operation and can be carried out by one person without the need for special tools.

The PPAI is fully adjustable over its entire insertion length. If pipeline pressure source is not available or suitable for insertion assistance, a supplementary gas supply can be used.



**PPAI with dispersion nozzle**

The PPAI has many and varied applications including:

- Pitot probe with 'Hot Loop' return
- Corrosion Coupon
- Dispersion Nozzle
- Sample collection
- Temperature Probe
- Liquid Siphon
- Injection Probe

### SPECIFICATIONS

Pressure & temperature rating	Up to 1500 ANSI
Connections	Pipeline: 1" MNPT connection standard. Flanged connection available up to 1500 ANSI in RF, RTJ, etc. Process connection: 1/4" FNPT - standard
Insertion length	500 mm. then in increments of 250 mm to 2000 mm
Construction & materials	316 stainless steel Viton elastomer (std.)
Options	Silconert treatment (inhibits sulphur and mercury ingress) ICEX Heated version available
Weight	(Standard 1" NPT, 500 mm insertion) 7.2 kg.

### ABOUT US

Since 1990, Haldatec has been providing products and services to the Oil, Gas and related industries in Australia, Pakistan, Singapore, Papua New Guinea, India and New Zealand.

### ENPRO

Our house product label, EnPro, has been developed to complement our core business and has been driven by customer needs. Our comprehensive range includes innovative designs, adaptations and applications introduced to solve problems for our customers.

### STANDARDS

To ensure we provide the best possible support for our customers and suppliers, we have certification to ISO9001:2015.

**Haldatec**

Phone: +61 3 9872 5822 Email: [sales@haldatec.com.au](mailto:sales@haldatec.com.au)

Website: [www.haldatec.com.au](http://www.haldatec.com.au)

