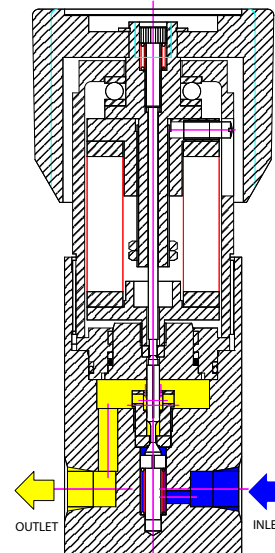


LF-540 SERIES

'Low Flow' Pressure Reducing Regulator Piston Sensed for outlet control to 414bar / 6000psi



* Assembly drawing for reference only. Refer to office for specific detail.

A compact and economical high pressure regulator with precision machined sensing elements to allow fine pressure control on pressures up to 414bar, which can be supplied as none venting or self venting (none adjustable).

APPLICATIONS:

- Test and calibration systems
- Aircraft charging carts
- Valve Actuator Systems
- Gas Cylinder Regulator Assemblies

FEATURES:

550bar / 8000psi inlet pressure
 Economical Design
 Precision machined sensing elements
 Load bearings and large handwheel for low torque adjustment
 Excellent sensitivity
 Self venting and non venting options

STANDARD MATERIALS OF CONSTRUCTION

Regulator part	Material
Body and Bonnet	316SS
Main valve pin	316SS
Seat	PEEK GF30
Valve spring	Inconel X750
Sensor and Holder	316SS
Handwheel	Nylon
Valve Cage and Seat Nut	316SS
Spring rests	316SS
'O' ring seals	NBR, Viton or EPDM
Adjusting screw	Alu Bronze
Loading Spring	302SS
Lubricant	Krytox GPL 205

NOTE: Product availability and specifications contained herein are subject to change without notice. Consult local distributor or factory for potential revisions and/or service related issues. // pg 1 of 2

PRESSURE TECH LTD, Unit 6, Graphite Way, Hadfield, Glossop, Derbyshire SK13 1QG
 Tel: +44 (0)1457 899307 Fax: +44 (0)1457 899308
 e-mail: info@pressure-tech.com

www.pressure-tech.com



Haldatec

Phone: +61-3-9872-5822 Fax: +61-3-9872-5129
 E-mail: sales@haldatec.com.au Web Site: www.haldatec.com.au

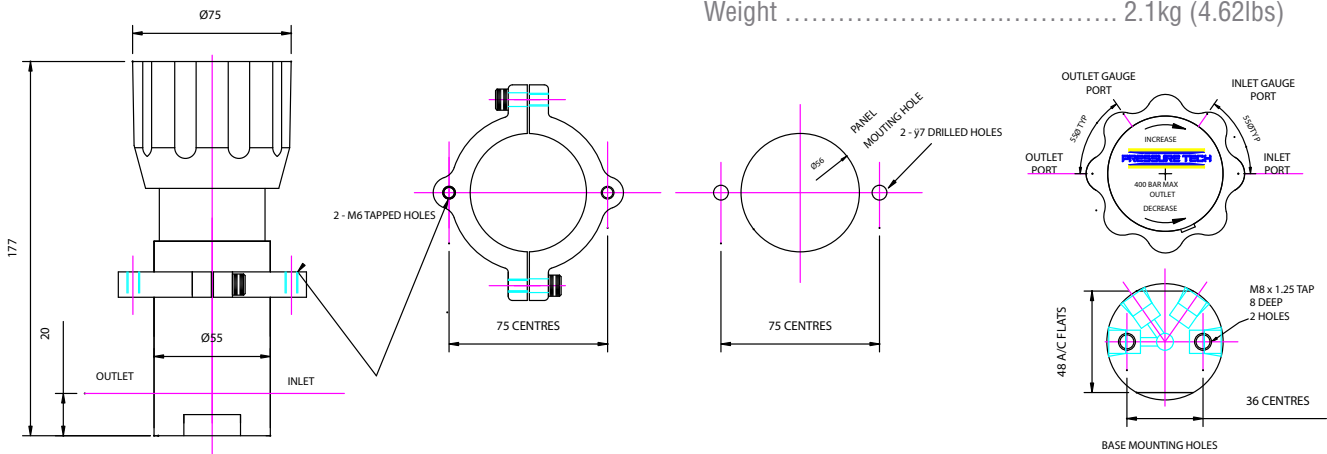
Designed and built in the UK



LF-540 SERIES

'Low Flow' Pressure Reducing Regulator Piston Sensed for outlet control to 414bar / 6000psi

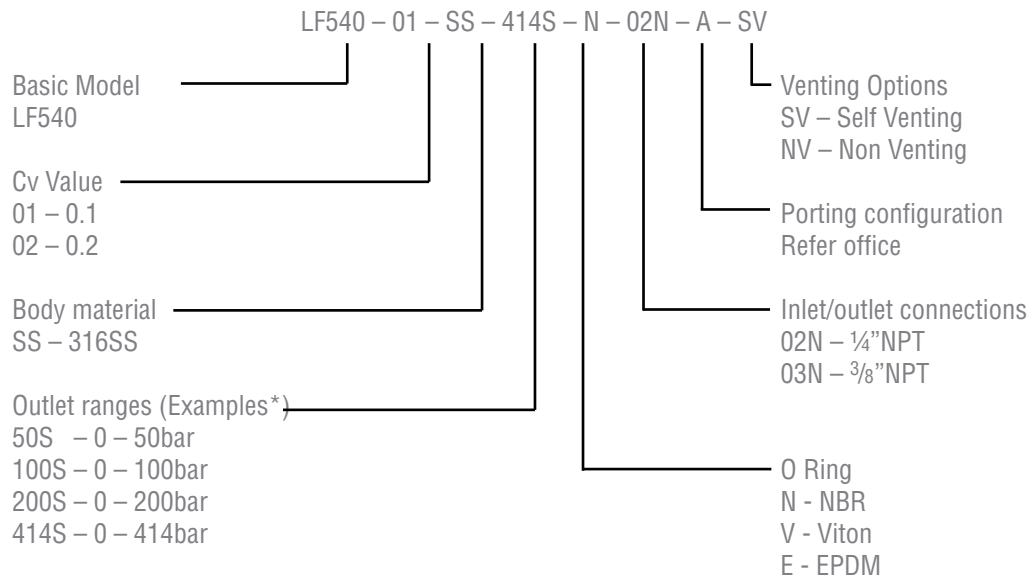
INSTALLATION DIMENSIONS:



SPECIFICATION :

Max rated inlet pressure 550bar (8000psi)
 Outlet ranges up to 414bar (6000psi)
 Design Proof pressure 150% max WP
 Leakage Bubble tight at max WP (tested on Nitrogen)
 Weight 2.1kg (4.62lbs)

ORDERING INFORMATION:



NOTE: Product availability and specifications contained herein are subject to change without notice. Consult local distributor or factory for potential revisions and/or service related issues. // pg 2 of 2