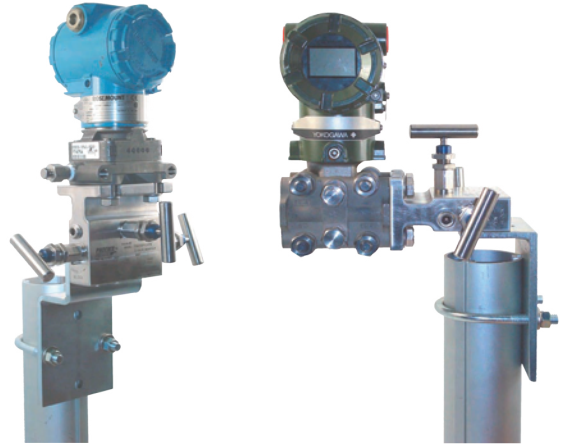


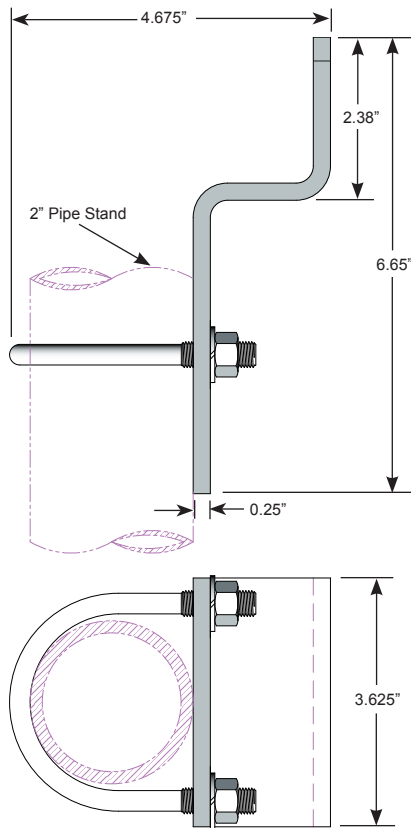
**VERTICAL AND HORIZONTAL MOUNTING BRACKETS**

**Mounting Brackets**

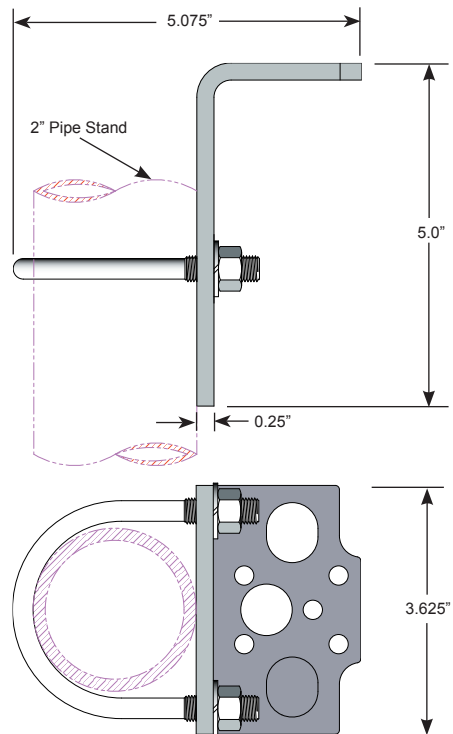
The mounting brackets are designed to mount the manifold, instead of the transmitter, to the pipe stand, which provides support for the manifold and sensing lines when it becomes necessary to remove the transmitter. Phoenix manufactures the mounting brackets using 1/4" thick plate material. The PVMB is designed for vertical and panel mount applications. The PHMB is designed for horizontal applications. These brackets may be ordered separately or specified with a manifold using the option codes in Phoenix's manifold catalogues.



**Vertical Mounting Bracket**



**Horizontal Mounting Bracket**



Phoenix	Mount Type	Type	Material	Option
P	V=Vertical	MB =Mounting Bracket	SS=Stainless Steel (304 or 18.8SS)	S6=316SS bracket and bolts
	H=Horizontal		CS=Carbon Steel (Zinc Plated)	
EXAMPLE: PHMBSS = Phoenix, Horizontal Mounting Bracket, Stainless Steel				
P	H	MB	SS	
<b>Includes Mounting Kit:</b> Mounting Bracket, Qty. 1 2 7/8" Centers U-Bolt, Qty. 1 3/8" Nuts, Qty. 2 3/8" Lock Washers, Qty. 2 1/4" Manifold Mounting Bolts. Qty. 2 1/4" Lock Washers, Qty. 2 Note: <b>Standard Bolting Options</b> , CS - carbon steel, Gr.8, zinc plated bolts; SS - stainless steel, 18.8 (304SS) bolts.				

## Use with Confidence, Phoenix Precision Products Meet the Following Specifications:

- ✓ ASME B31.1 Power Piping
- ✓ ASME B31.3 Process Piping
- ✓ ASME B16.34 Valves - Flanged, Thread, and Welding End
- ✓ API 598 Valve Inspection and Testing
- ✓ MSS SP-25 Standard Marking Systems for Valves, Fittings and Flange Unions
- ✓ MSS SP-99 Instrument Valves
- ✓ MSS SP-105 Instrument Valves for Code Applications
- ✓ NACE MR0175/ISO15156 for all 316SS valves and A105cs body/316SS bonnet (SC-Material Code) when in service with less than 50 PPM of chlorides

### For further information please contact:

Phoenix Precision Ltd.  
2620 21st Street N.E.  
Calgary, Alberta T2E 7L3  
Phone:(403) 291-3154  
Fax: (403) 291-3292  
email: phoenix@phoenixprecision.ca  
www.phoenixprecisionvalves.com



### Distributor / Representative:



Phone: +61-3-9872-5822 Fax: +61-3-9872-5129  
E-mail: sales@haldatec.com.au Web Site: www.haldatec.com.au

Phoenix Precision Ltd. (PPL) provides the information herein in good faith but makes no representation as to its comprehensiveness or accuracy. The information contained herein is intended only as a guide to PPL products and services. Individuals using information must exercise independent judgment in evaluating product selection and determining product appropriateness for their particular purpose and system requirements. PPL MAKES NO REPRESENTATIONS OR WARRANTIES, EITHER EXPRESS OR IMPLIED, INCLUDING WITHOUT LIMITATION ANY WARRANTIES OF MERCHANTABILITY OR FITNESS FOR A PARTICULAR PURPOSE WITH RESPECT TO THE INFORMATION SET FORTH HEREIN OR THE PRODUCT(S) TO WHICH THE INFORMATION REFERS. ACCORDINGLY, PPL WILL NOT BE RESPONSIBLE FOR DAMAGES (OF ANY KIND OR NATURE, INCLUDING INCIDENTAL, INDIRECT, OR CONSEQUENTIAL DAMAGES) RESULTING FROM THE USE OF OR RELIANCE UPON THIS INFORMATION. Patents and Patents Pending in the U.S. and foreign countries. PPL reserves the right to change product designs and specifications without notice.

DELFIN, TEFLON, VITON and TEFLON are registered trademarks (hereinafter referred to as TM) of E.I. Du Pont De Nemours and Company Corporation. PEEK is a registered TM of Whitford Worldwide Company and Whitford B.V. KEL-F is a registered TM of M.W. Kellogg Company. GRAFOIL is a registered TM of High Temperature Materials Inc. and Graftech INC. Corporation. AFLAS is a registered TM of Asahi Glass Co. Ltd. Corporation Japan. MONEL and INCONEL are registered TMs of Huntington Alloys Corporation. HASTELLOY is a registered TM of Haynes International, Inc.

© 2010 by Phoenix Precision Ltd. All rights reserved. Material in this brochure or catalogue may not be reproduced in whole or in part, in any form, without written permission from the publisher.